

**LED MR16 Flood 3W 4000K GU5.3 Base 40Deg 12V 250L Dimm -
Specification Sheet**

Product #: 20013 Product Code: MR16M3-940-GU5.3-LED



Product Details	
Watts	3W
Color Temp	4000K
Lumens	250
Voltage	12V
Bulb Type	MR16
Base Type	GU5.3
Dimmable	Yes
Equivalent Watts	20W
Amps	0.0325 - 0.075
Input Frequency	60Hz
Length	
Size	
Warranty (years)	5
Color Selectable	No
Wattage Selectable	No
Filament Type	
Technology	LED
Market	Residential, Commercial
Applications	Commercial, Retail, Hospitality Hospitality, Retail, Office, Medical for Tracking or Spotlighting applications

For Submittals	
Date	
Location	
Type	
Project	
Notes	

Product Identifiers	
Short Name	MR16 LED Flood
Product Name	LED MR16 Flood 3W 4000K GU5.3 Base 40Deg 12V 250 Lumens Dimmable 25K Hours 20W-equiv
Product Id	20013
Product Code	MR16M3-940-GU5.3-LED
UPC	807154200139
Manufacturer	Halco Lighting Technologies
Brand	Halco

Packaging & Weights	
Sold in Multiples of	1
Inner Package Size	1
Master Carton Size	48
Contains Single Inner Sleeve	
Weight per Item	0.05

Certifications	
UL Listed	No
ETL Listed	No
DLC Qualified	No
Energy Star Certified	No
IC Rated	
IP Rating	
JA-8	
Title 20	Yes
Title 24	No
RoHs	Yes
Certifications	ROHS - Title 20

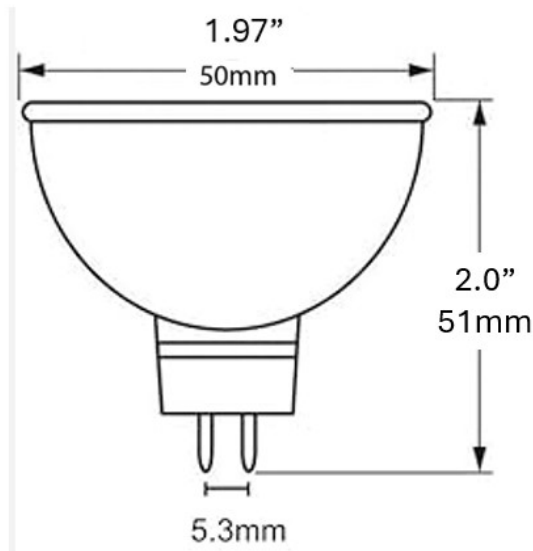
Performance	
Average Life	25,000
Color Rendering Index (CRI)	90
Power Factor	0.7
Beam Angle	40
Beam Type (Spread)	Flood
Light Dist. Type	
Open -Closed Rated	
Environment (wet, damp,etc)	Damp
Operating Position	Univeral

Construction	
Base Material	
Housing Material	Plastic (Polybutylene Terephthalate) & Aluminum
Finish	White
Trim Color	
Trim Design	
Mount Included	
Mount Options	
Lens	Plastic
With Lens Guard	

Other Features	
Emergency Backup Available	
Included Accessory	
Integrated Controls Available	

Ballast Features	
Ballast Type	
Ballast Lamp Type	
Number of Lamps	
Primary Lamp	
Start Type	
Ballast Lamp Watts	
Ballast Lamp Connection	

Media Gallery



Halco
LIGHTING TECHNOLOGIES

SOLID STATE LIGHTING
MR16
Iluminación de estado sólido
Éclairage à semi-conducteurs

Color Temperature
4000K

Brightness
250 lumens

Estimated Energy Cost
\$0.36 per year

LASTS 25,000 HOURS

ProLED.

3 | 20 WATT
WATT REPLACEMENT
Dimmable | 90 CRI

Title 20

Light Output Flux lumineux Salida de luz 250 lumens / lúmenes	Energy Used Consommation d'énergie Uso de energía 3 watts / vatios	Life Durée de vie Vida 25,000 hours / heures / horas
---	--	---