

**LED MR16 Flood 3W 3000K GU10 Base 40Deg 120V 250L Dimm -
Specification Sheet**

Product #: 20008 Product Code: MR16M3-930-G10-LED



| Product Details | |
|--------------------|---|
| Watts | 3W |
| Color Temp | 3000K |
| Lumens | 250 |
| Voltage | 120V |
| Bulb Type | MR16 |
| Base Type | GU10 |
| Dimmable | Yes |
| Equivalent Watts | 20W |
| Amps | 0.0325 - 0.075 |
| Input Frequency | 60Hz |
| Length | |
| Size | |
| Warranty (years) | 5 |
| Color Selectable | No |
| Wattage Selectable | No |
| Filament Type | |
| Technology | LED |
| Market | Residential, Commercial |
| Applications | Commercial, Retail, Hospitality Hospitality, Retail, Office, Medical for Tracking or Spotlighting applications |

| For Submittals | |
|----------------|--|
| Date | |
| Location | |
| Type | |
| Project | |
| Notes | |

| Certifications | |
|-----------------------|---|
| UL Listed | No |
| ETL Listed | Yes |
| DLC Qualified | No |
| Energy Star Certified | No |
| IC Rated | |
| IP Rating | |
| JA-8 | |
| Title 20 | Yes |
| Title 24 | No |
| RoHs | Yes |
| Certifications | ETL - UL Damp Location Rated - ROHS - Title 20 |

| Product Identifiers | |
|---------------------|--|
| Short Name | MR16 LED Flood |
| Product Name | LED MR16 Flood 3W 3000K GU10 Base 40Deg 120V 250 Lumens Dimmable 25K Hours 20W-equiv |
| Product Id | 20008 |
| Product Code | MR16M3-930-G10-LED |
| UPC | 807154200085 |
| Manufacturer | Halco Lighting Technologies |
| Brand | Halco |

| Performance | |
|-----------------------------|----------|
| Average Life | 25,000 |
| Color Rendering Index (CRI) | 90 |
| Power Factor | 0.7 |
| Beam Angle | 40 |
| Beam Type (Spread) | Flood |
| Light Dist. Type | |
| Open -Closed Rated | |
| Environment (wet, damp,etc) | Damp |
| Operating Position | Univeral |

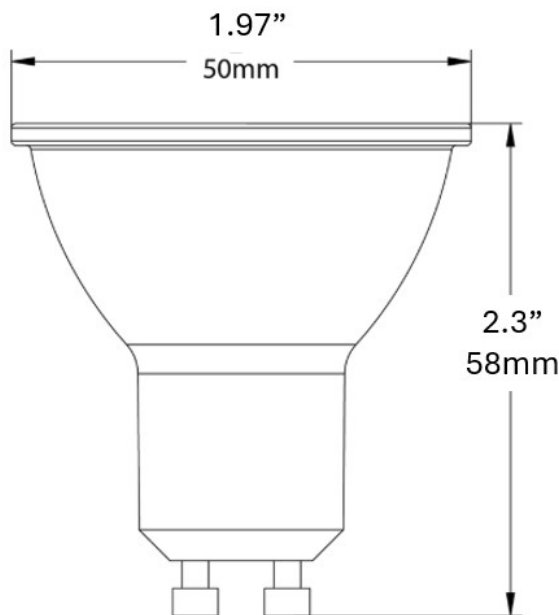
| Packaging & Weights | |
|------------------------------|------|
| Sold in Multiples of | 1 |
| Inner Package Size | 1 |
| Master Carton Size | 48 |
| Contains Single Inner Sleeve | |
| Weight per Item | 0.05 |

| Construction | |
|------------------|--------------------------------------|
| Base Material | |
| Housing Material | Plastic (Polybutylene Terephthalate) |
| Finish | White |
| Trim Color | |
| Trim Design | |
| Mount Included | |
| Mount Options | |
| Lens | Plastic |
| With Lens Guard | |

| Other Features | |
|-------------------------------|--|
| Emergency Backup Available | |
| Included Accessory | |
| Integrated Controls Available | |

| Ballast Features | |
|-------------------------|--|
| Ballast Type | |
| Ballast Lamp Type | |
| Number of Lamps | |
| Primary Lamp | |
| Start Type | |
| Ballast Lamp Watts | |
| Ballast Lamp Connection | |

Media Gallery



Halco
LIGHTING TECHNOLOGIES

SOLID STATE LIGHTING
GU10
Iluminación de estado sólido
Éclairage à semi-conducteurs

Color Temperature
3000K

Brightness
250 lumens

Estimated Energy Cost
\$0.36 per year

LASTS 25,000 HOURS

ProLED.

3 WATT | 20 WATT REPLACEMENT
Dimmable | 90 CRI

Light Output
Flux lumineux
Salida de luz
250 lumens / lúmenes

Energy Used
Consommation d'énergie
Uso de energía
3 watts / vatios

Life
Durée de vie
Vida
25,000 hours / heures / horas