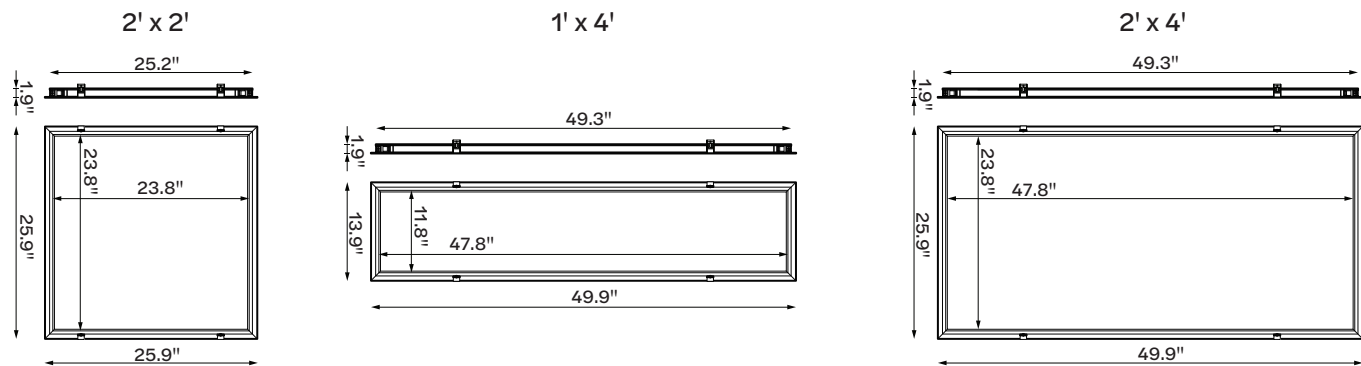


Backlit Panel Flange Mount Kit

Specifications

Product SKU	Description	Compatible Luminaires	Dimensions	Cut
90370	ProLED Select Backlit Panel 2x2 Flange Mount Kit	ProLED Select Backlit Panel 2x2-BPL-22-WS-CS-U-90364	23.8 x 23.8 x 1.9in	25.2 x 25.2in
90369	ProLED Select Backlit Panel 1x4 Flange Mount Kit	ProLED Select Backlit Panel 1x4-BPL-14-WS-CS-U-90363	11.8 x 47.8 x 1.9in	13.9 x 49.9in
90371	ProLED select Backlit Panel 2x4 Flange Mount Kit	ProLED Select Backlit Panel -2x4-BPL-24-WS-CS-U-90365	23.8 x 47.8 x 1.9in	25.2 x 49.9in

Dimensions



Installation

