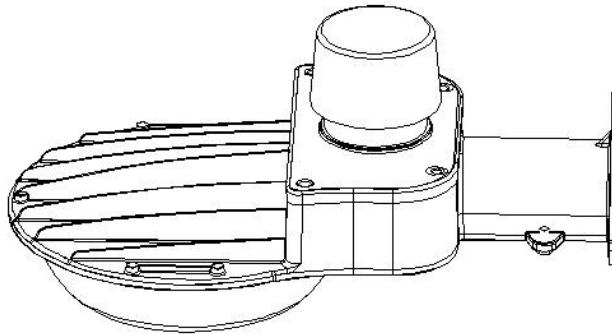


## SAVE THESE INSTRUCTIONS



## READ THOROUGHLY BEFORE INSTALATION

**WARNING!** Fixtures must be grounded and installed in accordance with the National Electrical Code and all local codes. Failure to do so may increase the **RISK OF PERSONAL INJURY, PROPERTY DAMAGE, FIRE AND DEATH**. Install and use so fixture failures do not cause a hazard and use only in environments for which the product is specifically marked.

**CAUTION!** Follow ALL luminaire recommendations, product markings, instructions, restrictions and warnings regarding luminaire operation and burning position. Luminaire label shows electrical and environmental requirements and restrictions.

All electrical work must be done by a qualified electrician.

Turn off electric power to all affected circuits and allow to cool before servicing.

A regularly scheduled maintenance program should be established to retain optimum light output and reduce heat retention. Dusting with a soft, clean, dry cloth is normally sufficient for the optical system. Any accumulation of dust or dirt should be removed regularly.

Carefully read these instructions before installing product. If you do not understand these instructions, before starting any work, contact your distributor

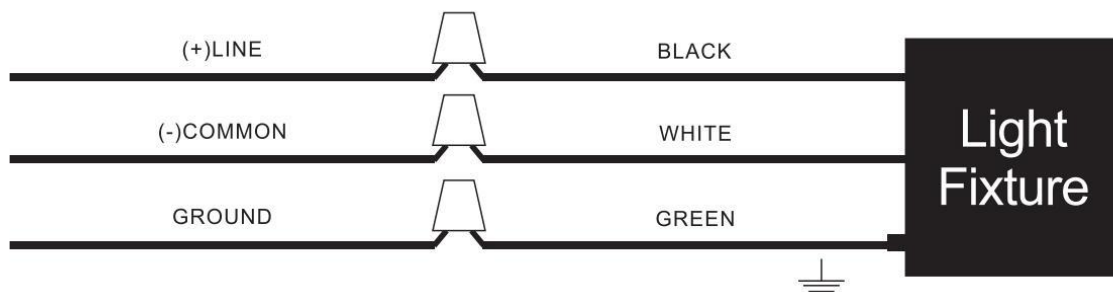
### NOTE:

This luminaire is designed for outdoor lighting applications with ambient temperatures not exceeding 40°C

### WARNINGS:

Dangerous voltage exists within the unit and all precautions usually observed in handling high voltage equipment should be observed when replacing light engine or otherwise servicing luminaries. Disregarding this warning could result in electrical shock and possible injury to the individual installing or servicing this equipment. Installation and servicing should be done by qualified personnel.

Turn off electrical power by fuse or circuit breaker box before wiring fixture to the power supply .



### Pole Mounting

- Attach the two piece mounting brackets to the extension arm by interlocking the pieces and securing with the bolt and hex nut provided (bolt and hex nut not pictured), leaving approximately one inch of the extension arm protruding out of the bottom of the bracket. Note: Bracket should be attached to the end of the arm with the cutouts.
- Place the extension arm assembly onto the desired mounting surface and mark the four hole locations for ease of mounting.
- Remove the arm assembly and drill the four marked locations. Mount the extension arm assembly using the hex head lag bolts provided and tighten 25 in-lbs.
- Attach conduit plug to bottom of arm with screws provided.
- Using pole clamp and bolts provided secure the arm to the fixture. Be sure to secure the arm clamp in the correct orientation for the size of the arm. Note: It is recommended that the arm clamp be attached loosely to the fixture, and then the arm should be inserted and the bolts tightened. •Feed supply wires through mounting pole
- Skip to Electrical Connections

### Direct Surface Mounting

- Place the fixture onto the desired mounting surface and mark the three hole locations for ease of mounting.
- Remove the fixture and drill the three marked locations.
- Mount the fixture using the hex head lag bolts provided. Tighten these bolts securely to 25 in-lbs before proceeding.
- Ensure that flexible conduit runs all the way into the access plate so that no wires are exposed. A knock out is provided in the access plate if conduit is larger than 1/2".

### Electrical Connections

- POWER MUST BE OFF
- RISK OF SHOCK
- Wiring must be performed by a qualified electrician in accordance with local and National Electrical Codes.
- This LED unit is equipped with an electronic driver having an input of 120V. Check that supply voltage matches the voltage marked on the label prior to performing any work.
- Remove access cover to make wiring connections.
- Connect ground wire to green wire, white wire to neutral (white) wire, and black wire to black wire. After all connections have been made, replace access cover.

### Photo Control Connection

- Check that photo control receptacle/socket is secure and does not rotate. Loosen screw in the center to reposition. Do not remove screw completely or rotate receptacle over 360 degrees.
- Insert the photo control into the photo control receptacle/socket by aligning the large prong on the photo control with the large opening in the receptacle
- Push down on the photo control and twist clockwise to lock. PHOTO CONTROL MUST BE LOCKED IN!
- Note: Window or arrow on top of photo control should be pointed North or positioned appropriately away from any obstruction of sunlight.

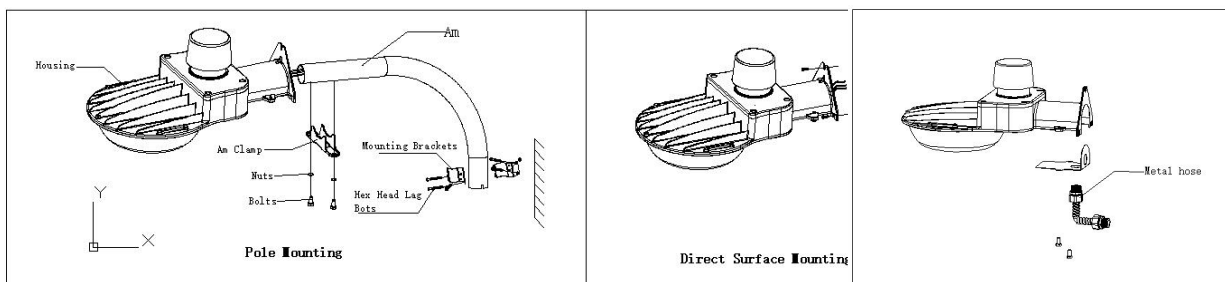
### Troubleshooting

- To check the operation during daylight hours, cover the photo control window with black electrical tape. (Never use aluminum foil to cover photo control or any other material that carries electricity).

- Note: When power is first applied some photo controls will turn the light on and turn off in two or three minutes. This is normal and not a cause for concern. Allow 3 to 5 minutes for the fixture to turn off or on when testing.

- Turn on the power and the fixture should light within 2 minutes.
- If the photo control operates with light on all the time, day and night, it is defective.
- Remove the tape from the photo control and the fixture will operate automatically on at dusk, off at dawn

**Note: sealant shall be applied at the installation joint**



### **NOTES:**

For replacement LED Assemblies and Drivers please contact Manufacturer for any replacement parts. Contact your local distributor or agent to confirm parts availability prior to ordering replacement parts.