

ProLED® Bypass PL- LED Instructions



IMPORTANT SAFETY INSTRUCTIONS

READ INSTRUCTIONS CAREFULLY BEFORE INSTALLING.

KEEP THESE INSTRUCTIONS FOR FUTURE REFERENCE.

DANGER - RISK OF SHOCK-DISCONNECT POWER BEFORE INSTALLATION.

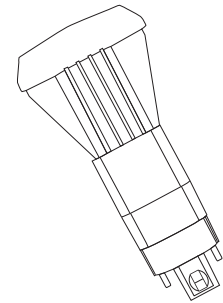
CAUTION: Before installing, make certain the AC power to the fixture is off.

CAUTION: The electrical rating of this product is 120-277V. Installer must confirm that there is 120-277V at the fixture before installation.

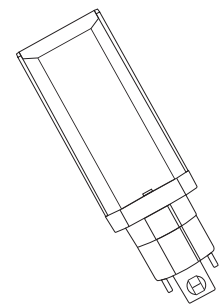
CAUTION: LEDs are extremely bright. Do not look directly at the LED light source for extended period of time as over-exposure may cause harm to the eyes.

This product must be installed in accordance with the applicable installation code by a person familiar with the construction and operation of the product and the hazards involved.

To comply with the published safety standards, the following must be observed when using this LED lamp.



Vertical



Horizontal

Product #	Product Code	Input Voltage	Input Frequency	Input Current	Input Wattage	Length
81141	PL10V/835/BYP/LED	120-277A	50/60Hz	120mA	10W	2.15" (54.5mm) x 4.6" (117mm)
81142	PL10V/841/BYP/LED					
81143	PL10V/850/BYP/LED					
81144	PL10H/835/BYP/LED					
81145	PL10H/841/BYP/LED					1.63" (41.402mm) x 5.20" (132mm)
81146	PL10H/850/BYP/LED					

THIS PRODUCT MUST BE INSTALLED IN ACCORDANCE WITH THE APPLICABLE INSTALLATION CODE BY A PERSON FAMILIAR WITH THE CONSTRUCTION AND OPERATION OF THE PRODUCT AND THE HAZARDS INVOLVED.

WARNING - Risk of fire or electric shock. The electrical rating for this product is 120-277V, the installer must determine whether they have 120-277V at the luminaire before installation.

WARNING - Risk of fire or electric shock. The LED retrofit kit installation requires knowledge of luminaire electrical systems. If not qualified, do not attempt installation. Contact a qualified electrician.

WARNING - Risk of fire or electric shock. Install this kit only in the luminaires that has the construction features and dimensions shown in the photographs and/or drawings.

WARNING - To prevent wiring damage or abrasion, do not expose wiring to edges of sheet metal or other sharp objects.

Do not add or alter any open holes in an enclosure of wiring or electrical components during kit installation.

Only those open holes indicated in the photographs and/or drawings may be added or altered as a result of kit installation. Do not leave any other open holes in the wiring enclosure or electrical component enclosure during installation.

Installers should not disconnect existing wires from the lamp holder terminals to make new connections at the lamp holder terminals. Instead, installers should cut existing lamp holder leads away from the lamp holder and make new electrical connections to the lamp holder lead wires by employing applicable connections.



E360221

Installation steps:

STEP 1: These LED Lamps are intended for lighting systems only.

STEP 2: These LED Lamps are for indoor use only. Maximum ambient temperature must not exceed 131°F (55°C).

STEP 3: These LED Lamps are not intended to be repaired by the user, manufacturer, or service personnel in any case of failure.

STEP 4: These LED Lamps are constructed so that they do not rely upon the luminaire enclosure for protection against accidental contact with live parts.

STEP 5: These LED Lamps are intended to retrofit Type IC or non-IC recessed mount listed luminaires with or without diffuser, with instructions to remove existing trim.

STEP 6: These LED Lamps are intended to be used in dry or damp locations only.

STEP 7: These LED Lamps are not to be used with dimmers.

STEP 8: These LED Lamps are not intended for use with emergency exit features of any type.

STEP 9: These lamps are intended to be installed in the same orientation as the fluorescent tubes they are replacing.

Ballast Bypass Instructions for G24d, G24q, GX24d, GX24q

1. Check all the items on the retrofit.
2. Check to confirm the LED Lamps electrical parameters are rated to replace the luminaire being serviced.
3. Make sure the circuit breaker that supplies power to the fixture is turned off.
4. Remove trim and existing lamps from recessed fixture. Drop housing from plaster frame.
5. Remove inner junction box cover and disconnect ballast from input wiring and lamp holder leads. Dispose of removed ballast and lamps in accordance with government regulations in your area.
6. Connect input wiring to lamp holder leads according to the appropriate diagram below (Figure 1, 2,3,4). Place wires and connections back in wiring box and replace cover.
7. Reinstall housing and trim.
8. Install your new Halco LED lamps. Rotate lamps to desired position (Horizontal lamp only).
9. Apply relamping label on a visible service inside the fixture.
10. Turn power on at the breaker box and turn on the lights.

Figure 1. Retrofit with One Lamp (G24d Base)

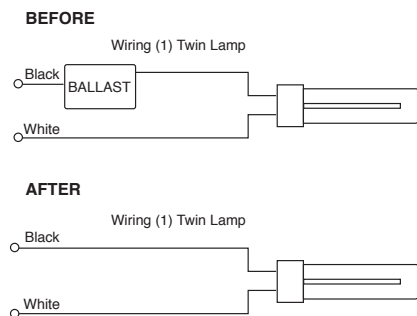


Figure 2. Retrofit with Two Lamps (G24d Base)

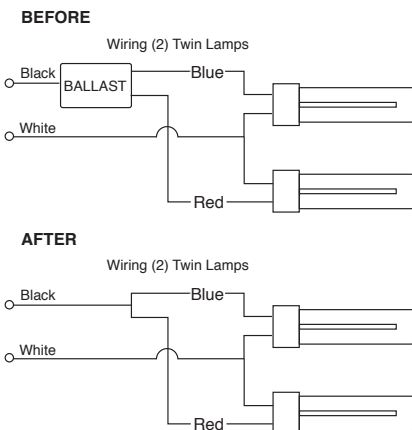


Figure 3. Retrofit with One Lamp (G24q Base)

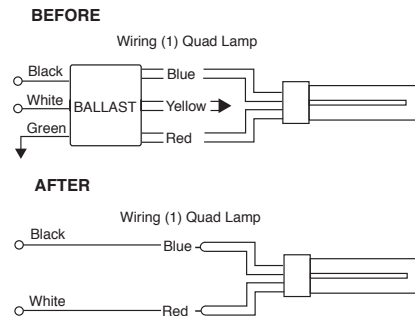
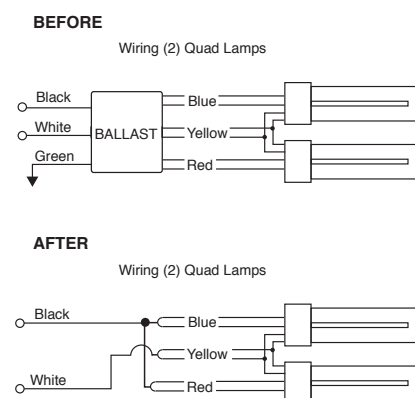


Figure 4. Retrofit with Two Lamps (G24q Base)



This product is warranted for 5 years from the date of purchase. If this product does not perform to the specifications supplied on this package, send an email or write to the address below for product return and replacement. This replacement is the sole remedy available. Liability for incidental or consequential damage is expressly excluded. Visit www.halcolighting.com for full warranty details and compatibility information.