



LED LUMINAIRES

ProLED® Vaportight Series



The ProLED VPT Vaportight series provides a high performing solution in a rugged versatile design, perfect for multi-functional applications. The VPT offers a robust die-cast body, silicone gasketing and corrosion resistant powder coating, ensuring optimal performance in the toughest conditions.



Die Cast Housing

Wet Location Rated

Adjustable Head Design

Multiple Conduit Entry Points

5 Year Warranty

Applications:

- Security
- Entryway
- Utility
- Perimeter
- Multi-Residential
- Corridor & Walkway



Contact Your Customer Care Specialist
For Pricing, Orders And Technical Support.

800.677.3334 www.halcolighting.com

ProLED® Vaportight Series

Product #: _____ Type: _____

Project: _____ Date: _____

Comments: _____ Initials: _____

Performance

- 2000 Lumens
- 4000K & 5000K CCT
- Universal 120-277VAC Input
- >80 CRI

Construction

- Die cast aluminum housing
- Frosted polycarbonate lens
- Textured gray powder coat finish
- Silicone gasketing

Mounting

- 1/2" threaded conduit side entry points available for surface conduit
- Wall, Ceiling & Pendant Mounting

Listings

- cULus listed for Wet Locations, Outdoor

Ordering Logic

Example: VPT-20-5K-U

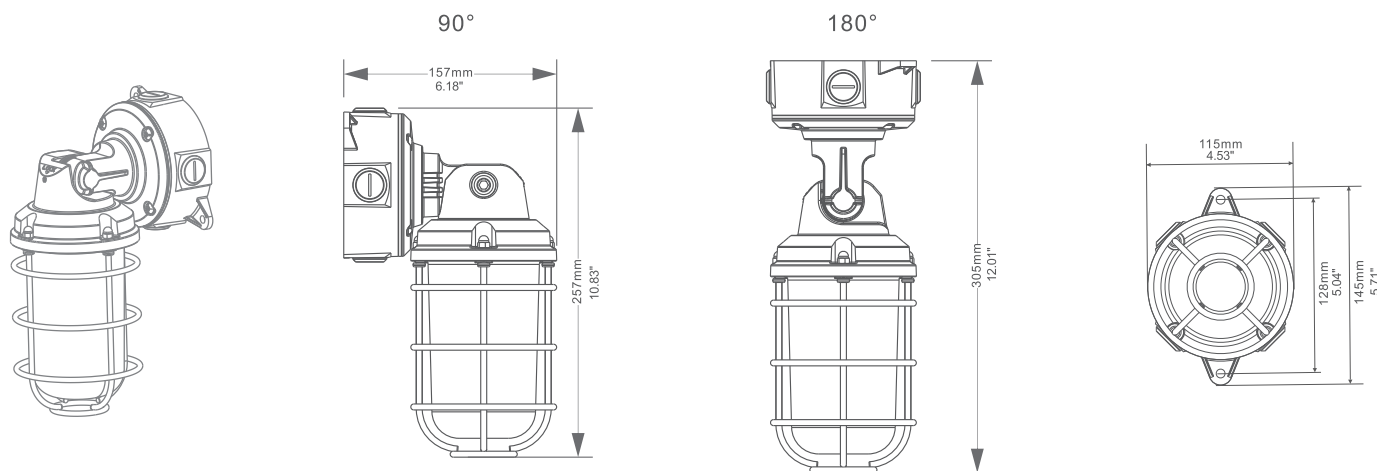
Series	Wattage	CCT	Voltage
VPT=Vaportight	20 = 20Watt	4K = 4000K 5K = 5000K	U = Universal Voltage

Ordering Information

Product SKU	Product Code	Product Description	Wattage	Color Temperature
10455	VPT-20-4K-U	Vaportight, 20W, 4000K, 120-277VAC	20	4000K
10456	VPT-20-5K-U	Vaportight, 20W, 5000K, 120-277VAC	20	5000K

Performance Table				4000K			5000K		
Product Codes	Nominal Wattage	CRI	Power Factor	Actual Wattage	Lumens	Efficacy	Actual Wattage	Lumens	Efficacy
VPT-20	20	80	>.90	20	1915	98	20	2198	110

Dimensions



ProLED® Vaportight Series

Product #: _____ Type: _____

Project: _____ Date: _____

Comments: _____ Initials: _____

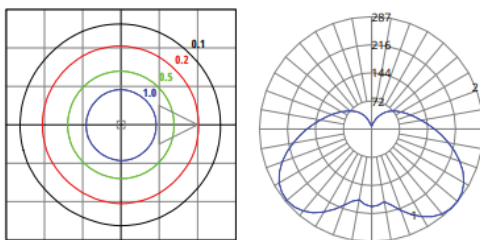
Specification Table

VPT	10455	10456
Nominal Wattage (W)	20	
Lumens Delivered (lm)	1900-2000 lm	
Equivalency	100W PSMH	
Efficacy (lm/W)	100LPW	
CRI	>80	
Color Temperature (K)	4000K	5000K
L70 Lifetime (hrs)	≥50,000 Hours	
Input Voltage	120-277VAC	
Power Factor	≥.90	
Housing	Die cast aluminum	
Lens	Frosted polycarbonate	
Mounting	Wall, Ceiling & Pendant; 1/2" threaded conduit hole available	
Operating Temperature	-40°F to 113°F	
Listings	cULus, FCC, IP65	
Environment	Indoor & Outdoor Rated, Wet Locations	
Warranty	5 Years	

*Useful Life is defined as the point in time at which the lamp will maintain at least 70% of its initial lumens. The lamp will continue to operate past this point at decreased light levels. May not be compatible with all dimming systems, dimming performance may vary by system.
 Warranty – Commercial / Industrial: This product is warranted for 5 years from the date of purchase.

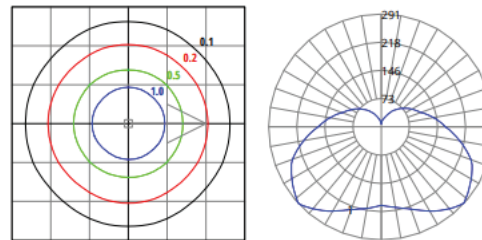
Photometrics

Ceiling Mount



Mounting Height 10' -- Scale is 10'

Wall Mount



Mounting Height 10' -- Scale is 10'