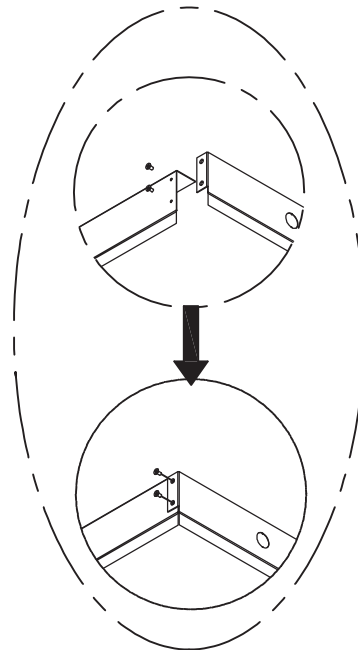
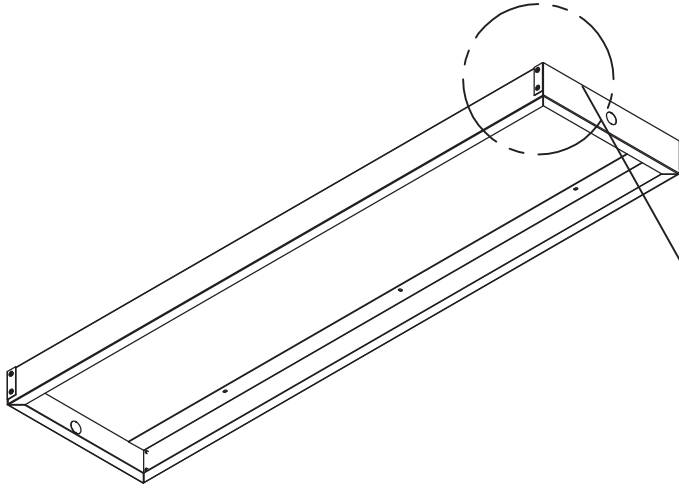
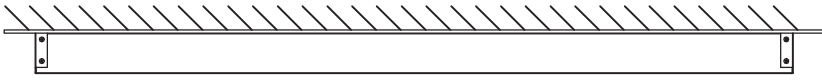


ProLED® Surface Mount Kit for Volumetric Panel Installation Instruction



Notice:

1. The short kit on the outside of the long kit
2. Lock screw (suggest Torsional force:7N.m)