



LED LUMINAIRES

ProLED[®] **Slim Downlight Series**



Halco's ProLED Slim Downlight Series provides a full range of high performance, low profile, easy to install square or round downlights in 4 inch and 6 inch versions. High CRI, wet location, smooth dimming, and a remotely mounted driver enclosure offer the perfect combination of performance and functionality in either new or remodel recessed lighting applications.



4" and 6" Square and Round

No recessed housing needed

IC and Wet Location Rated

90+ CRI

Designed for Easy Installation

Remote Driver Enclosure for Installation Flexibility

Applications:

- Residential
- Light Commercial
- Office
- Retail



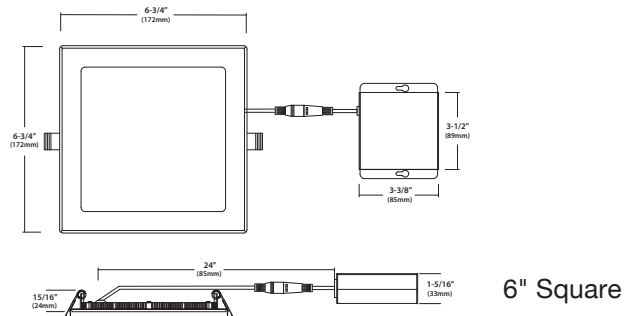
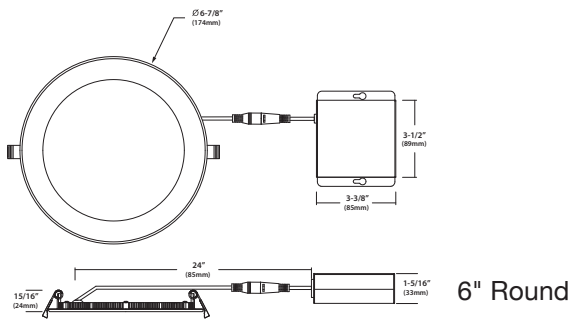
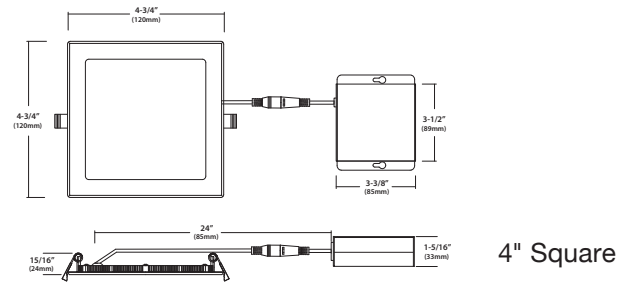
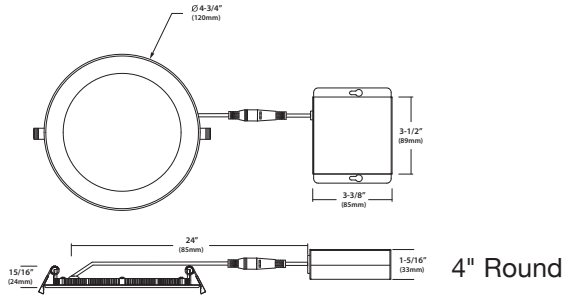
Contact Your Customer Care Specialist
For Pricing, Orders And Technical Support.
800.677.3334 www.halcolighting.com

Halco LED Slim Downlight Series

Product #: _____ Type: _____

Project: _____ Date: _____

Comments: _____ Initials: _____



Ordering Information

Product Code	Product Number	Description	Wattage	Color Temp.	Lumen Output	CRI	Voltage
DLS4FR9/RD/927/LED	89060	4" Round Slim Downlight 9W 2700K Dimmable Wet Location	9W	2700K	550	>90	120V
DLS4FR9/RD/930/LED	89061	4" Round Slim Downlight 9W 3000K Dimmable Wet Location	9W	3000K	550	>90	120V
DLS4FR9/RD/940/LED	89062	4" Round Slim Downlight 9W 4000K Dimmable Wet Location	9W	4000K	550	>90	120V
DLS4FR9/RD/950/LED	89063	4" Round Slim Downlight 9W 5000K Dimmable Wet Location	9W	5000K	550	>90	120V
DLS4FR9/SQ/927/LED	89064	4" Square Slim Downlight 9W 2700K Dimmable Wet Location	9W	2700K	550	>90	120V
DLS4FR9/SQ/930/LED	89065	4" Square Slim Downlight 9W 3000K Dimmable Wet Location	9W	3000K	550	>90	120V
DLS4FR9/SQ/940/LED	89066	4" Square Slim Downlight 9W 4000K Dimmable Wet Location	9W	4000K	550	>90	120V
DLS4FR9/SQ/950/LED	89067	4" Square Slim Downlight 9W 5000K Dimmable Wet Location	9W	5000K	550	>90	120V
DLS6FR12/RD/927/LED	89068	6" Round Slim Downlight 12W 2700K Dimmable Wet Location	12W	2700K	800	>90	120V
DLS6FR12/RD/930/LED	89069	6" Round Slim Downlight 12W 3000K Dimmable Wet Location	12W	3000K	800	>90	120V
DLS6FR12/RD/940/LED	89070	6" Round Slim Downlight 12W 4000K Dimmable Wet Location	12W	4000K	800	>90	120V
DLS6FR12/RD/950/LED	89071	6" Round Slim Downlight 12W 5000K Dimmable Wet Location	12W	5000K	800	>90	120V
DLS6FR12/SQ/927/LED	89072	6" Square Slim Downlight 12W 2700K Dimmable Wet Location	12W	2700K	800	>90	120V
DLS6FR12/SQ/930/LED	89073	6" Square Slim Downlight 12W 3000K Dimmable Wet Location	12W	3000K	800	>90	120V
DLS6FR12/SQ/940/LED	89074	6" Square Slim Downlight 12W 4000K Dimmable Wet Location	12W	4000K	800	>90	120V
DLS6FR12/SQ/950/LED	89075	6" Square Slim Downlight 12W 5000K Dimmable Wet Location	12W	5000K	800	>90	120V
DLS6FR14/RD/927/LED	89076	6" Round Slim Downlight 14W 2700K Dimmable Wet Location	14W	2700K	950	>90	120V
DLS6FR14/RD/930/LED	89077	6" Round Slim Downlight 14W 3000K Dimmable Wet Location	14W	3000K	950	>90	120V
DLS6FR14/RD/940/LED	89078	6" Round Slim Downlight 14W 4000K Dimmable Wet Location	14W	4000K	950	>90	120V
DLS6FR14/RD/950/LED	89079	6" Round Slim Downlight 14W 5000K Dimmable Wet Location	14W	5000K	950	>90	120V
DLS6FR14/SQ/927/LED	89080	6" Square Slim Downlight 14W 2700K Dimmable Wet Location	14W	2700K	950	>90	120V
DLS6FR14/SQ/930/LED	89081	6" Square Slim Downlight 14W 3000K Dimmable Wet Location	14W	3000K	950	>90	120V
DLS6FR14/SQ/940/LED	89082	6" Square Slim Downlight 14W 4000K Dimmable Wet Location	14W	4000K	950	>90	120V
DLS6FR14/SQ/950/LED	89083	6" Square Slim Downlight 14W 5000K Dimmable Wet Location	14W	5000K	950	>90	120V
DLS/EXT6	89084	Slim Downlight Extension Cable 6"	-	-	-	-	-
DLS/EXT10	89085	Slim Downlight Extension Cable 10"	-	-	-	-	-
DLS/EXT20	89086	Slim Downlight Extension Cable 20"	-	-	-	-	-
DLS/FK4RD	89087	Slim Downlight New Construction Frame - 4" Round	-	-	-	-	-
DLS/FK4SQ	89088	Slim Downlight New Construction Frame - 4" Square	-	-	-	-	-
DLS/FK6RD	89089	Slim Downlight New Construction Frame - 6" Round	-	-	-	-	-
DLS/FK6SQ	89090	Slim Downlight New Construction Frame - 6" Square	-	-	-	-	-

Please Contact a Halco Representative for more information.

Halco LED Slim Downlight Series

Product #: _____ Type: _____

Project: _____ Date: _____

Comments: _____ Initials: _____

Specification Table

Rated Wattage	9	12	14
Energy Savings	86%	81%	83%
Power Factor	> 0.9		
L70 Lifetime*	50,000 hrs		
Input Voltage	120VAC		
Efficacy	Up to 67 LPW		
CRI	>90		
Dimming	120V Triac		
CCT	2700, 3000, 4000, 5000		
Warranty	5 Years Standard		
Environment	ETL Wet Location Listed, IC Rated		
Ambient Temp. Rating	-20°C to 40°C		
Weight (lbs)	0.66	0.97	0.97

*Useful Life is defined as the point in time at which the lamp will maintain at least 70% of its initial lumens. The lamp will continue to operate past this point at decreased light levels. **347-480V Drivers are Field-Installable. Please See Accessory Table for 347-480V Driver Ordering Information. ***IP rated as "dust tight" and protected against water projected from a nozzle. May not be compatible with all dimming systems, dimming performance may vary by system.

Warranty – Commercial / Industrial: This product is warranted for 5 years from the date of purchase. ** Check the latest update at www.DesignLights.org for listed product catalog numbers. Not all versions are listed.

Performance

- Replaces 65 to 85 Watt Incandescent
- 85% more energy efficient than incandescent
- CRI >90
- L70 Lumen Maintenance > 50,000 hours
- 5 year limited warranty
- Dimmable to 10%
- 120VAC Input

Construction

- Simple installation - no additional housing or junction box required
- Low profile design and remote driver enclosure ideal for shallow plenums
- Ceiling cutout template included
- Wet Location and IC Rated
- Spring loaded universal mounting clips ensure secure fit to ceiling
- Aluminum driver enclosure with easy access door and (2) 3/4" knockouts
- 6 inch, 10 inch, and 20 inch wire extenders available (sold separately)
- New construction frame kit available (sold separately)

Certification

- ETL Listed
- R0Hs Compliant
- Wet Location Rated
- IC Rated

