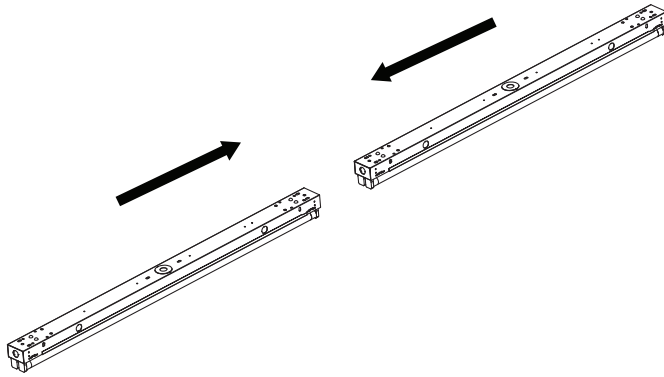


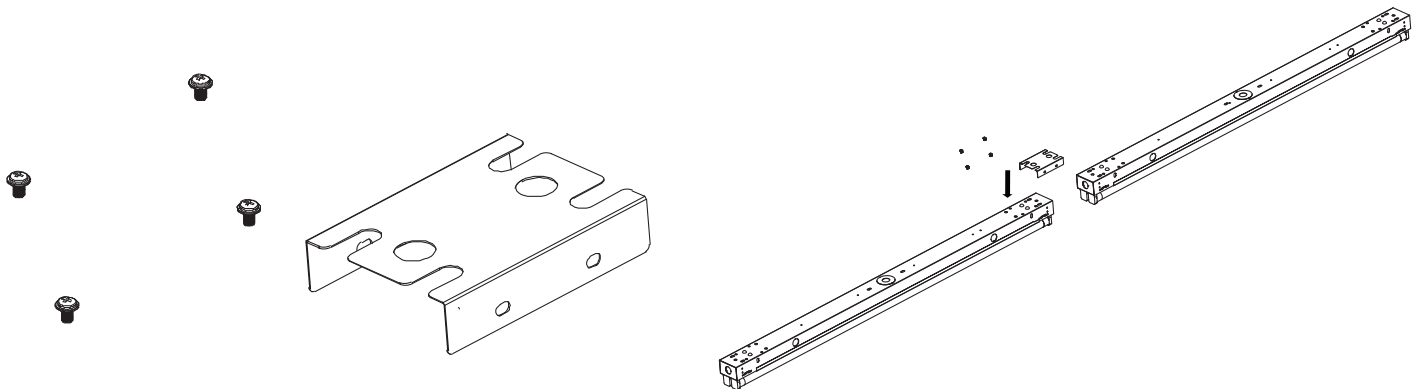
# Lamp Ready Fixture Strip Joiner Bracket, SKU#90514 Installation Instructions



1. Place two fixtures end to end.



2. Slip mounting bracket over the ends of the fixtures, aligning screw holes on the side of the bracket with fixtures.



3. Attach the bracket to the fixtures using (4) supplied screws.

