

LED Lamps

LED HID Filament Lamps

- 70W, 320W, 400W and 450W Equivalents
- Type B Ballast Bypass
- Field Adjustable Lumen Output
- 4 CCT Options
- E26 and EX39 (E39) Base Types



Specifications

Description

Halco's LED HID Filament Lamp Series offers a powerful, cost-effective solution for replacing traditional HID (High Intensity Discharge) lamps. These high-performance lamps combine energy efficiency and long-life of LED technology to provide immediate savings. With an optimized lamp size and superior light distribution, the LED HID Filament Lamps deliver the look and feel of traditional HID lamps. Powered by cutting-edge, high-power LED filament technology housed in a durable full-glass bulb, these versatile lamps are a reliable solution for both indoor and outdoor applications.

Performance

- Color temperature options 2200K, 3000K, 4000K, 5000K
- Up to 195 lumens per watt
- 3000 to 16500 lumen options
- CRI 80+
- L70 lumen maintenance > 50,000 hours
- 120-277V
- 30°C to 45°C operating temperature
- 360° beam angle
- 5 year limited warranty

Construction

- Clear glass lens
- E26 & EX39/E39 base options
- Type B ballast bypass

Applications

- Office Parks
- Commercial Buildings
- Commercial Maintenance Facilities
- Self Storage
- K-12 Schools, Colleges and Universities
- Cargo Bays and Loading Docks

Certifications

- ETL listed for wet locations
- DLC 5.1 Standard (EX39 base only)
(Visit Designlights.org for qualified product list)
- RoHS compliant
- FCC part 15 compliant

LED HID Filament Lamps

Ordering Logic:

Series	Wattage	CRI/CCT	Base
HiLED = LED HID Filament Lamp	20 = 20W 45S = 45W Selectable 65S = 65W Selectable 85S = 85W Selectable	8 = 80 CRI; 22 = 2200K 30 = 3000K 40 = 4000K 50 = 5000K	E26 = E26 Base EX39 = EX39/E39 Base

Ordering Information

Product SKU	Product Code	Product Description	Equiv Watts	DLC Product ID
84900	HiLED20-822-E26	HiLED Lamp 20W 2200K ED23.5 Bulb with E26 Base and 3000 Lumens	70W	-
84901	HiLED45S-830-EX39	HiLED Lamp 30W-45W 3000K Selectable Lumens (5100/6460/7650) ED28 Bulb with EX39/E39 Base	320W	S-M269SL
84902	HiLED45S-840-EX39	HiLED Lamp 30W-45W 4000K Selectable Lumens (5550/7030/8325) ED28 Bulb with EX39/E39 Base	320W	S-NFBDJX
84903	HiLED45S-850-EX39	HiLED Lamp 30W-45W 5000K Selectable Lumens (5850/7400/8750) ED28 Bulb with EX39/E39 Base	320W	S-1LGZ0S
84904	HiLED65S-830-EX39	HiLED Lamp 45W-65W 3000K Selectable Lumens (7650/9350/11050) ED37 Bulb with EX39/E39 Base	400W	S-0F1Z91
84905	HiLED65S-840-EX39	HiLED Lamp 45W-65W 4000K Selectable Lumens (8325/10175/12025) ED37 Bulb with EX39/E39 Base	400W	S-3TJXZ1
84906	HiLED65S-850-EX39	HiLED Lamp 45W-65W 5000K Selectable Lumens (8700/10700/12600) ED37 Bulb with EX39/E39 Base	400W	S-FKGPC3
84907	HiLED85S-830-EX39	HiLED Lamp 60W-85W 3000K Selectable Lumens (10200/11560/14450) ED37 Bulb with EX39/E39 Base	450W	S-BWV19K
84908	HiLED85S-840-EX39	HiLED Lamp 60W-85W 4000K Selectable Lumens (11100/12580/15725) ED37 Bulb with EX39/E39 Base	450W	S-QLRWPL
84909	HiLED85S-850-EX39	HiLED Lamp 60W-85W 5000K Selectable Lumens (11700/13200/16500) ED37 Bulb with EX39/E39 Base	450W	S-Z4W15P

LED HID Filament Lamps

Performance Table

Product Code	Wattage	2200K		3000K		4000K		5000K	
		Lumen (lm)	Efficacy (lm/W)	Lumen (lm)	Efficacy (lm/W)	Lumen (lm)	Efficacy (lm/W)	Lumen (lm)	Efficacy (lm/W)
HiLED20-822-E26	20W	3000	150						
HiLED45S-830-EX39	30W			5100	170				
	38W			6460	170				
	45W			7650	170				
HiLED45S-840-EX39	30W					5550	185		
	38W					7030	185		
	45W					8325	185		
HiLED45S-850-EX39	30W							5850	195
	38W							7400	195
	45W							8750	194
HiLED65S-830-EX39	45W			7650	170				
	55W			9350	170				
	65W			11050	170				
HiLED65S-840-EX39	45W					8325	185		
	55W					10175	185		
	65W					12025	185		
HiLED65S-850-EX39	45W							8700	193
	55W							10700	195
	65W							12600	194
HiLED85S-830-EX39	60W			10200	170				
	68W			11560	170				
	85W			14450	170				
HiLED85S-840-EX39	60W					11100	185		
	68W					12580	185		
	85W					15725	185		
HiLED85S-850-EX39	60W							11700	195
	68W							13200	194
	85W							16500	194

LED HID Filament Lamps

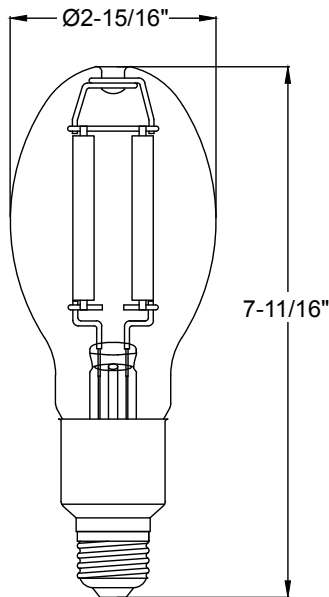
Specifications Table

	HiLED20-822-E26	HiLED45S-8XX-EX39	HiLED65S-8XX-EX39	HiLED85S-8XX-EX39
Nominal Wattage	20W	30W / 38W / 45W	45W / 55W / 65W	60W / 68W / 85W
Delivered Lumens	3000	Selectable 5100 - 8750	Selectable 7650 - 12600	Selectable 10200 - 16500
Efficacy (lm/W)	145 LPW	180 LPW - 195 LPW	180 lpw - 195 LPW	180 LPW - 195 LPW
CCT	2200K	3000K, 4000K or 5000K	3000K, 4000K or 5000K	3000K, 4000K or 5000K
CRI	>80			
L70 Lifetime (hrs)	>50,000			
Voltage	120-277V			
Power Factor	0.9			
Dimming	No			
Lens	Glass			
Operating Temp. Min	-30°C			
Operating Temp. Max	45°C			
Listings	cETLus-FCC-RoHS, Wet Location Rated	cETLus-DLC5.1 Standard, FCC-RoHS-Wet Location Rated		
Environment	Wet Location			
Warranty (Years)	5 Years			
Weight (lbs)	0.44	0.88	1.57	
Operating Position	Universal			
Frequency	50/60Hz			

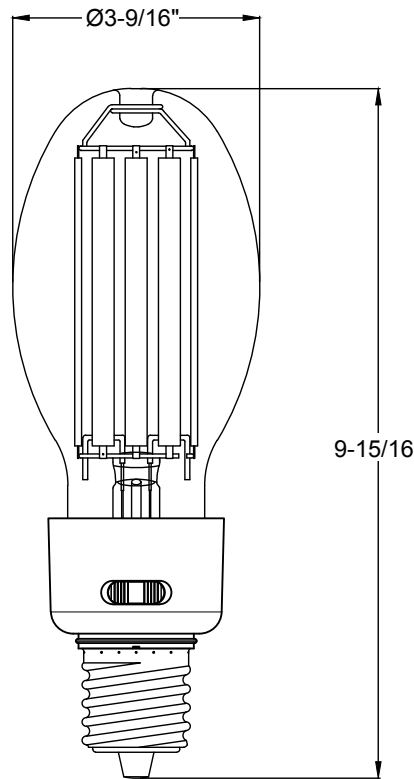
LED HID Filament Lamps

Dimensions

HiLED ED23.5 Bulb with E26 Base
HiLED20-822-E26



HiLED ED28 Bulb with EX39/E39 Base
HiLED45S-8XX-EX39



HiLED ED37 Bulb with EX39/E39 Base
HiLED65S-8XX-EX39 &
HiLED85S-8XX-EX39

