

LED Essential Round High Bay Light Installation Instruction

Cautions:

1. Can not use the electric generator to test the LED light .
2. Please abide by related country, regional and local law and regulations when installing this fixture.
3. Please turn off the power before installation or maintenance.
4. Proper grounding is required to ensure safety.

Notice:

1. To avoid possibility of electrical shock or fire, the installation personnel must have professional electric knowledge.
2. Please wear gloves to avoid injury before installation.
3. If there is any smoke or spark, please turn off the power immediately and consult a qualified electrician.
4. Please use listed water proof strain relief bushing when connecting the supply cord to the outlet box.

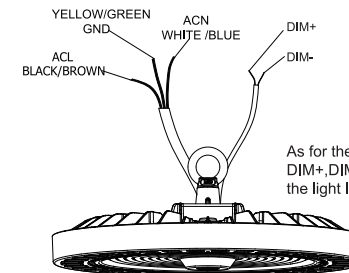
Attention:

1. Please check if there is any damage during shipping. If so, please contact the manufacturer in a timely manner.
2. Please read the installation instruction carefully to check whether all the accessories are complete. After confirmation, install the fixture according to installation steps.

Wiring Diagram & Instruction:

This LED highbay light can be equipped with optional DC motion sensor, and is available with 0-10V dimming function, with following 3 dimming solutions:

1. 0-10V dimming,
2. Intelligent dimming with DC motion sensor,
3. Pre-install tool-free handling DC motion sensor dimming module, and choose dimming function freely.



Description:	
This product is 0/1-10V dimming, below dimmers are recommended:	
Brand	Model
LUTRON	NTSTV-DV
LEVITON	DS710 / IP710
LEGRAND	RH4FBL3PTC

As for the wire color of DIM+, DIM-, pls check the light label.

Installation Methods: Hook Mount, Ceiling Mount, 1/2"NPT Mount. (Please choose the most suitable installation method for the product per you needs)

Hook Mount:

1. Screw the hook into the fixture, tighten and fix it. (figure 1)
2. Hang the fixture on the ceiling hook or chain. (figure 2)
3. After installation, connect the wire of the fixture to the mains according to local wiring rules, ensure the connection is stable and protected on the connection.

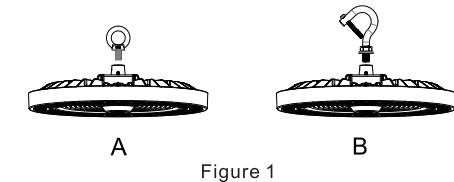


Figure 1

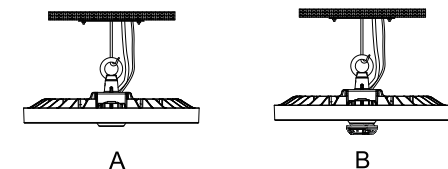


Figure 2

Ceiling Mount:

1. Mark with a marker pen or sharpie tool on the mounting surface and drill. (figure 3)
2. Fix screws into the holes with a hammer. (figure 4)
3. Align the bracket hole with screw hole (figure 5), and push the fixture to one side (figure 6) and fix it.
4. After installation, connect the wire of the fixture to the mains according to local wiring rules, ensure the connection is stable and protected on the connection. By adjusting the brackets screws, users can adjust 50° to the left or right vertically. (figure 7)

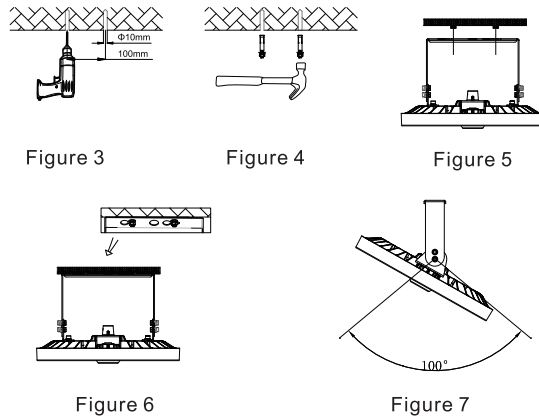


Figure 3

Figure 4

Figure 5

Figure 6

Figure 7

1/2" NPT Mount

1. Unscrew the nuts on 1/2" NPT. (figure 8)
2. Insert 1/2" NPT stem into the bracket hole. (figure 9)
3. Re-screw the nuts. (figure 10)
4. After installation, connect the wire of the fixture to the mains according to local wiring rules, ensure the connection is stable and protected on the connection. By adjusting the brackets screws, users can adjust 50° to the left or right vertically. (figure 11)

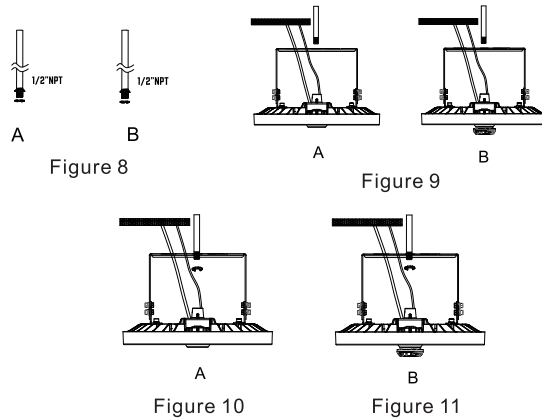


Figure 8

Figure 9

Figure 10

Figure 11

Installation of DC motion sensor

The fixture has integrated function 3 Power selectable. The setting could be customized. Operation: Take away the water-proof gasket, adjust dip switch to choose Power as per sign. The original setting could be either factory default or customized request (Figure 12).

Notice :The dimming range of this product with microwave sensor is between 100% - 50%.

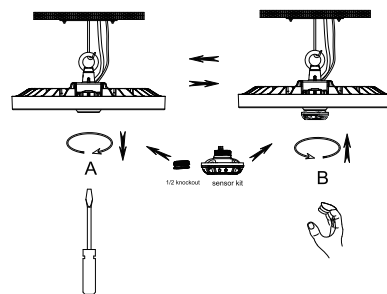


Figure 12

Safety Rope:

To ensure the secure installation of the fixture the use of the pre-attached safety aircraft cable is required. (Figure 13)

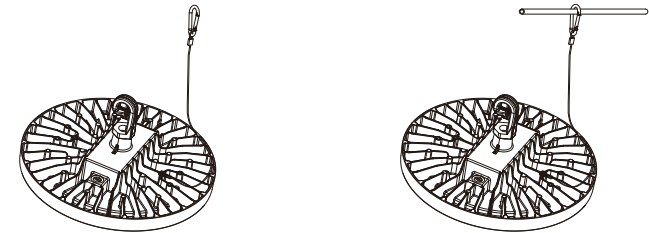


Figure 13