

Controls

Wireless Occupancy Sensor Dimming Wall Controller

- Bluetooth® NLC Certified
- Passive Infrared (PIR) Occupancy Sensor
- Manual on/off (wireless)
- Conforms with DLC NLC5 Cybersecurity Standards
- Dim up/down (wireless)
- LED Status Indicator Light
- Mounts in any Standard Wall Box
- Color: White



Switch Plate Sold Separately



Specifications

Description

The Wireless Occupancy Sensor Dimming Wall Controller provides automatic, occupancy-based lighting control for a variety of indoor applications. It can be mounted in any standard single-gang wall box. The PSC-DM-I-WS-100-BLE-SR controls all of the lights in a specific zone. The unit also functions as a dimmer to override the pre-configured occupancy sensor settings.

Key Features

- PIR occupancy/vacancy sensor dimmer
- 120–277 VAC input, max 1.5W power consumption
- Fits standard wall box; 40 ft range at 4 ft height
- Bluetooth range up to 30 ft (9.14 m)
- Operating temp: 0° to 55°C; Storage: -10° to 60°C
- 90–95% non-condensing humidity at 30°C

Operation

- TruBlu™ Mesh wall controller with Bluetooth NLC certification
- Supports multi-vendor interoperability
- Configurable via TruBlu™ web portal or iOS mobile app
- App used for setup and parameter adjustments
- Optional TruBlu™ Gateway enables energy monitoring and demand response
- Refer to TruBlu™ Commissioning Manual for full details

Note:
1. Bluetooth Range is highly dependent on the integration of fixtures, surrounding environment and conditions. It is recommended to conduct testing for range accuracy.

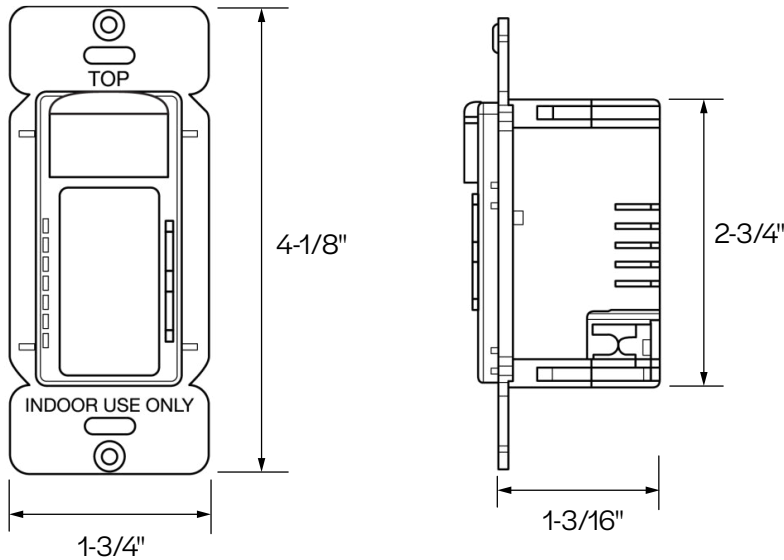
Controls

Wireless Occupancy Sensor Dimming Wall Controller

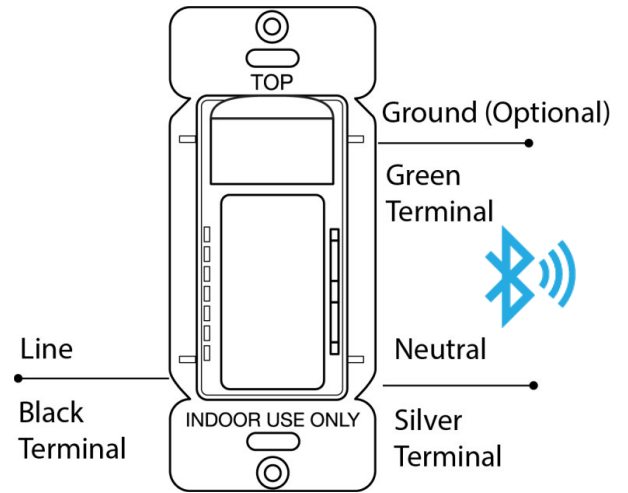
Ordering Information

Product SKU	Product Code	Product Description
25434	PSC-DM-I-WS-100-BLE-SR-WH	TruBlu Mesh Wireless PIR Occupancy Sensor Dimming Wall Controller, White (decorator plate not included)

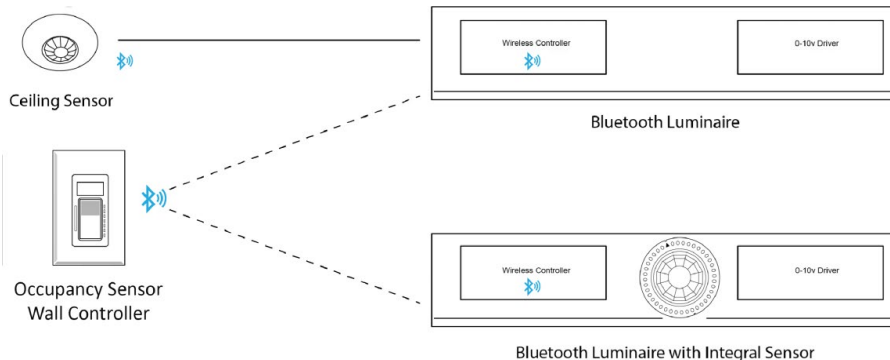
Dimensions



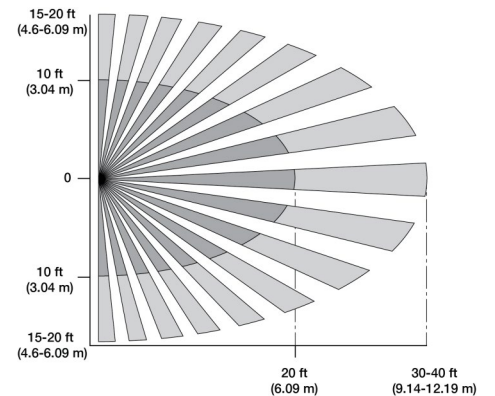
Wiring



Example Connections

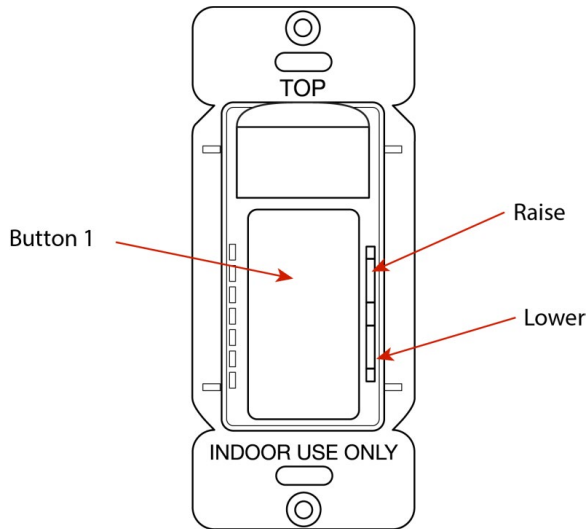


Detection Area



Wireless Occupancy Sensor Dimming Wall Controller

Wireless Manual Control



Button 1 for On/Off:

- Short press - AUTO/ON
- Second short press - OFF
- Auto = Resume automatic control; turns on the automatic settings for luminaires (defined by the settings profile).

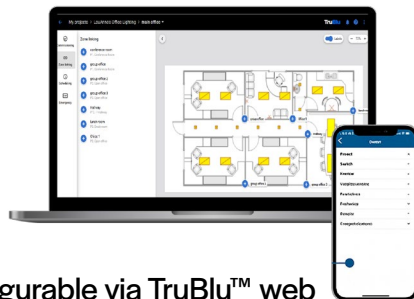
For dimming:

- Raise Rocker
- Lower Rocker

Factory Reset:

- Hold both Button 1 and Lower Toggle for 10 sec. The device returns to an un-provisioned state.

Commissioning App



Configurable via TruBlu™ web portal or iOS mobile app



Scan to Download the App for iOS Devices