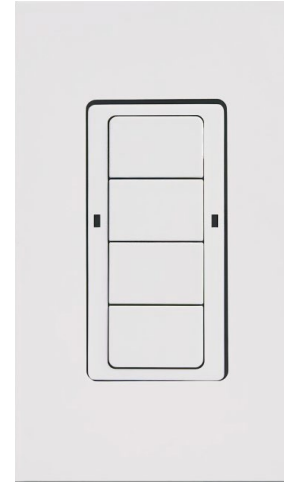


## Controls

### 4-Button Wireless Bluetooth Mesh Wall Controller

- Bluetooth® NLC Certified
- Manual on/off (wireless)
- Dim up/down (wireless)
- Conforms with DLC NLC5 Cybersecurity Standards
- LED status indicator light
- 4-Button functions may be customized
- Mounts in any standard wall box
- Color: white



Switch Plate Sold Separately



## Specifications

### Description

The Wireless 4-Button Wall Controller wirelessly communicates with Bluetooth mesh controllers to provide scene and light level control to lighting in the space. It can be installed in a standard 1-gang wall box. The field-customizable buttons can be programmed for ON/OFF/RAISE/LOWER preset scenes or white tuning. This wall switch controls all of the lights in a specific zone. The unit also functions as a dimmer to override the pre-configured occupancy sensor settings.

### Key Features

- 4-button wall controller
- 120–277 VAC input, max 1.5W power consumption
- Fits standard wall box
- Bluetooth range up to 30 ft (9.14 m)
- Operating temp: 0° to 55°C; Storage: -10° to 60°C
- 90–95% non-condensing humidity at 30°C

### Operation

- TruBlu™ Mesh wall controller with Bluetooth NLC certification
- Supports true multi-vendor interoperability
- Configurable via TruBlu™ web portal or iOS app
- App used for setup and parameter adjustments
- Optional TruBlu™ Gateway enables energy monitoring
- Demand response available with gateway (sold separately)

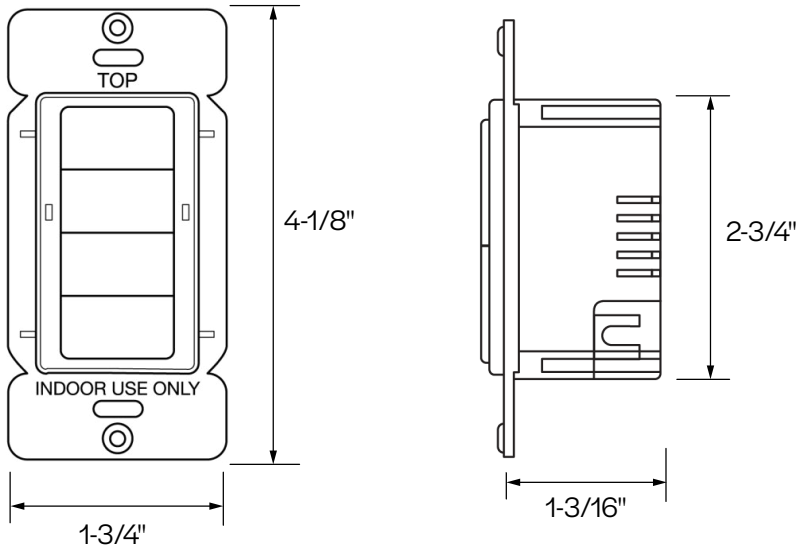
Note:  
1. Bluetooth Range is highly dependent on the integration of fixtures, surrounding environment and conditions. It is recommended to conduct testing for range accuracy.

# 4-Button Wireless Bluetooth Mesh Wall Controller

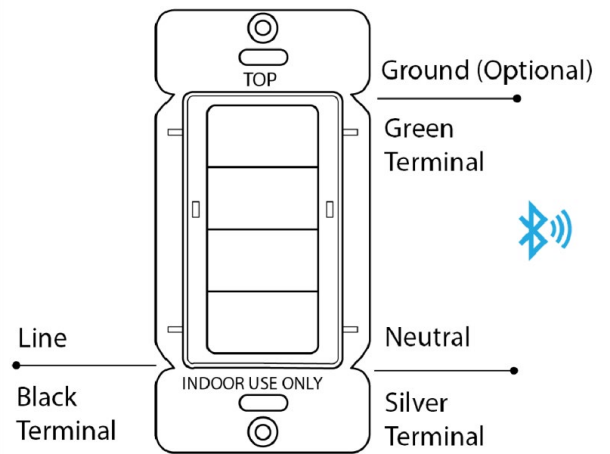
## Ordering Information

Product SKU	Product Code	Product Description
25427	PSC-DM-WS-400-BLE-SR-WH	TruBlu Mesh Wireless 4-Button Wall Controller, Scene Control, White (faceplate not included)

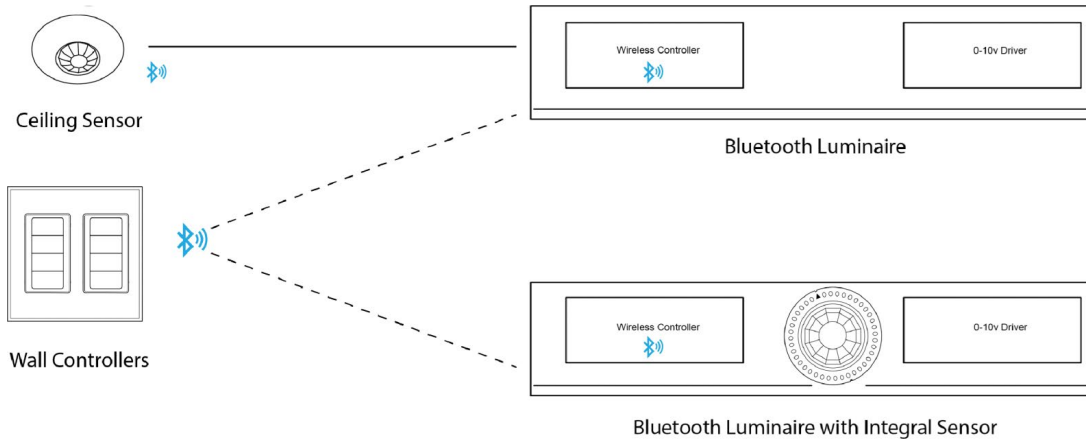
## Dimensions



## Wiring

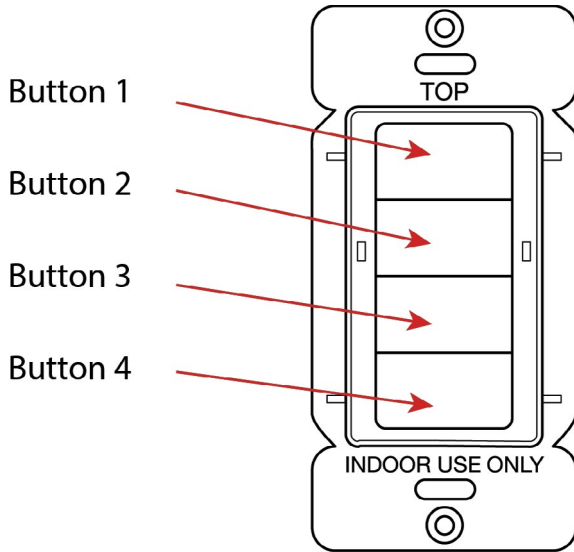


## Example Connections



## 4-Button Wireless Bluetooth Mesh Wall Controller

### Wireless Manual Control



#### Button 1 and button 2 for Auto/On and dimming:

- Short press Button 1 - AUTO/ON
- Short press Button 2 - Off
- Long press Button 1 - Dim Up
- Long press Button 2 - Dim Down
- Auto = Resume automatic control; turns on the automatic settings for luminaires (defined by the settings profile).

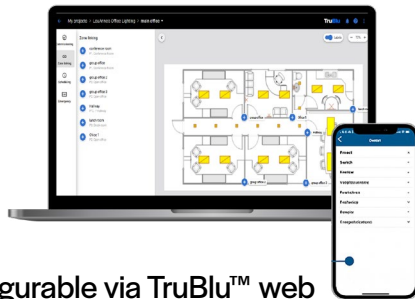
#### Button 3 and Button 4 to trigger scenes or control color temperature (if available), scenes must be configured:

- Short press Button 3 - Scene A (if configured)
- Short press Button 4 - Scene B (if configured)
- Long press Button 3 - Colder (if available)
- Long press Button 4 - Warmer (if available)

#### Factory Reset:

- Hold both Button 1 and Button 4 for 10 sec. The device returns to an un-provisioned state.

### Commissioning App



Configurable via TruBlu™ web portal or iOS mobile app



Scan to Download the App for iOS Devices