

Controls

TruBlu™ Mesh Wireless PIR Ceiling Occupancy Sensor

- Passive infrared occupancy sensor
- Bluetooth® SIG mesh
- Ceiling Mount
- Mounting height up to 12ft (3.6m)
- LED Motion indicator
- Conforms with DLC NLC5 Cybersecurity Standards



Specifications

Description

This wireless ceiling-mounted PIR occupancy sensor uses advanced digital passive infrared technology to deliver precise motion detection and dependable performance across indoor applications. Designed for mounting heights up to 12 ft (3.6 m), it delivers consistent coverage for offices, retail, and commercial environments. The sensor connects to the TruBlu™ Bluetooth® Mesh network for configuration, scheduling, and control through a web portal or mobile app. It can operate with a 12–24 VDC power pack or a driver with auxiliary output, enabling flexible integration into a variety of lighting control systems.

Key Features

- Passive infrared (PIR) occupancy sensing
- Bluetooth® SIG mesh connectivity
- Ceiling mount installation up to 12 ft (3.6 m)
- 12–24 VDC input voltage, 50 mA current consumption
- Sensor range up to 37 ft (11.3 m) radius
- Bluetooth range up to 100 ft (30.4 m)¹
- LED motion indicator
- Meets DLC NLC5 cybersecurity standards
- Operating temp: -22°F to 158°F (-30°C to 70°C); storage: -40°F to 176°F (-40°C to 80°C)
- 5-year warranty

Operation

- Connects to the TruBlu™ Mesh network for setup, scheduling, and control
- Configurable via TruBlu web portal or mobile app
- Supports energy monitoring and demand response with optional gateway
- Operates with PacWave™ power pack or 12V auxiliary driver output
- Provides automatic on/off and daylight-based lighting control
- Recommended for ceiling-mounted applications up to 12 ft high

Note:
1. Bluetooth Range is highly dependent on the integration of fixtures, surrounding environment and conditions. It is recommended to conduct testing for range accuracy.

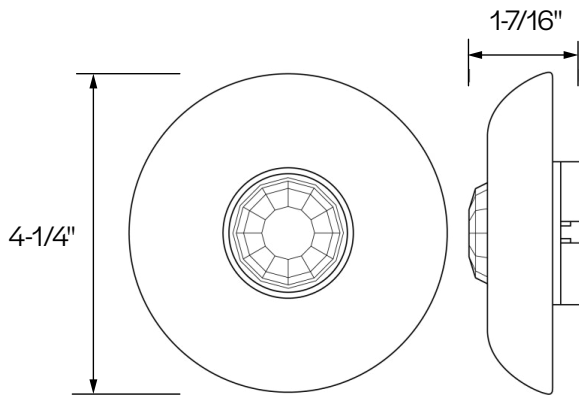
Controls

TruBlu™ Mesh Wireless PIR Ceiling Occupancy Sensor

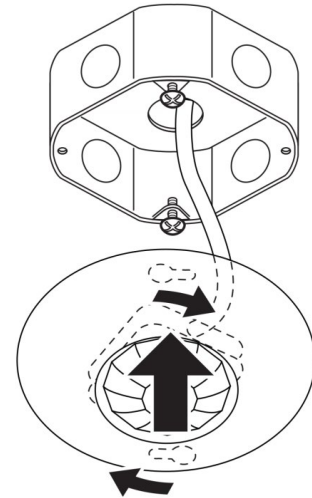
Ordering Information

Product SKU	Product Code	Product Description
25431	PSC-ND-I-CM-DC-BLE-SR	TruBlu Mesh Wireless PIR ceiling occupancy sensor. Low voltage input 12-24VDC.

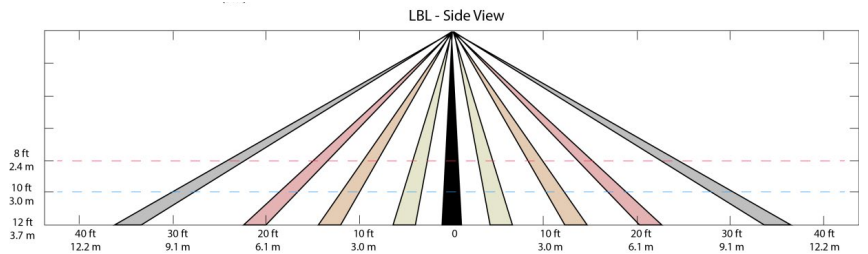
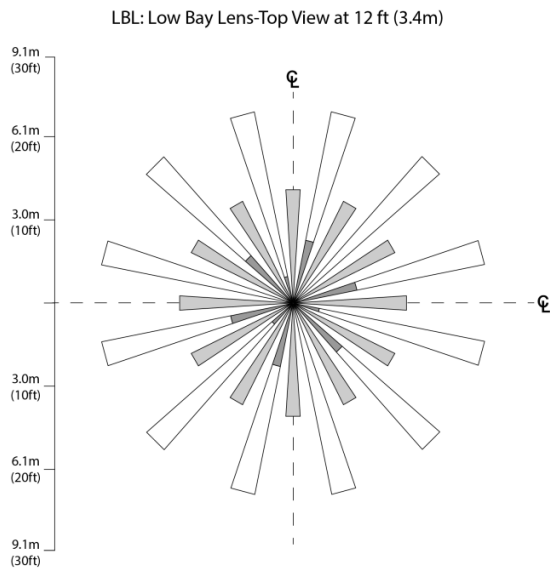
Dimensions



Installation



Coverage Pattern

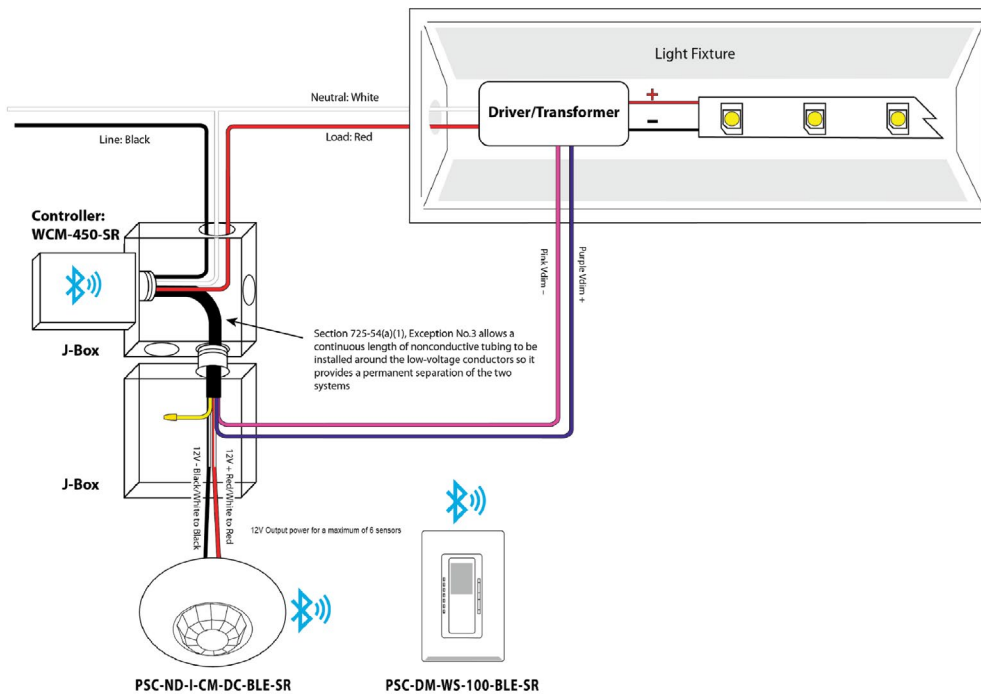
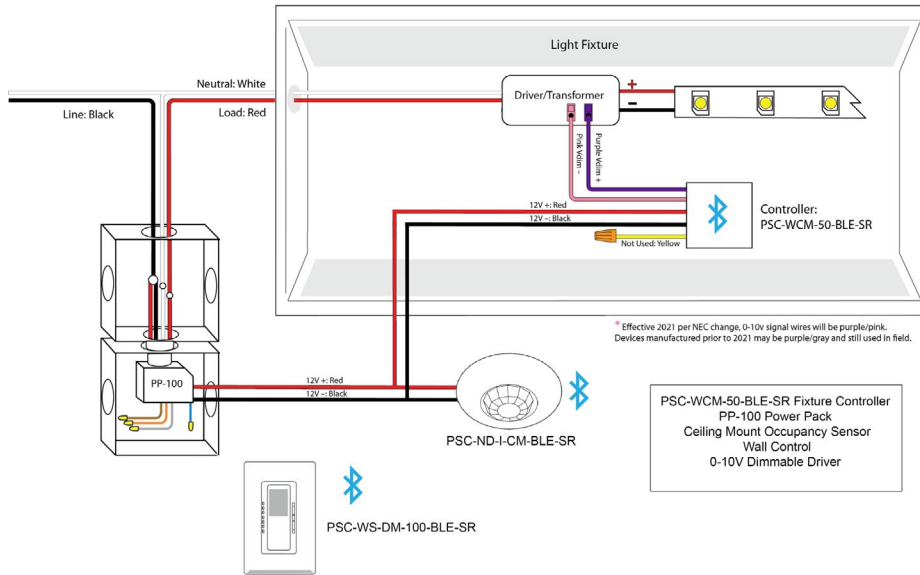


Note: The application/absolute range of the sensor is subject to variation because of different types of clothing, backgrounds, and ambient temperature. Therefore, ensure that the lens is properly oriented along routes with expected traffic and conduct testing along those routes.

Controls

TruBlu™ Mesh Wireless PIR Ceiling Occupancy Sensor

Wiring Diagram



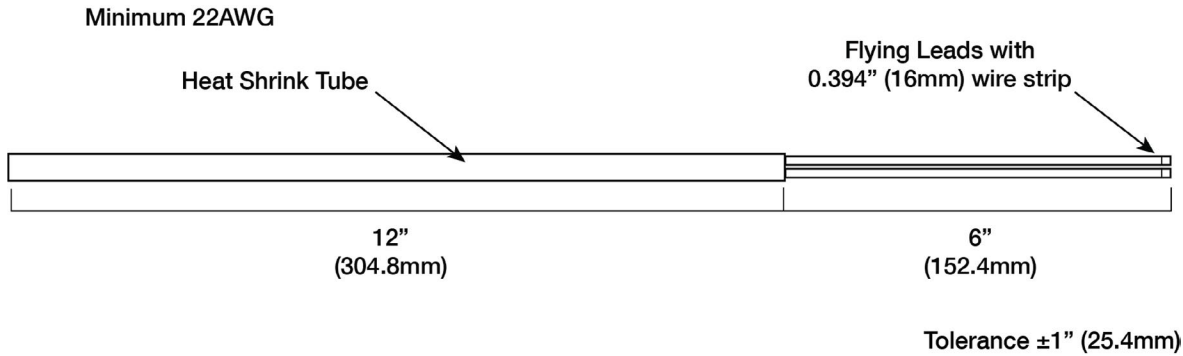
Input Line Black, Input Common White, Load Red	12AWG, 180+/-20mm, Strip 10mm Tin Plated
Output 12V+ Black/White, Output 12V- Red/White, Sen Input Yellow, 0-10V+ Purple, 0-10V- Pink	22AWG, 180+/-20mm, Strip 10mm Tin Plated

WCM-450 Controller
PIR Ceiling Sensor
Wireless Wall Dimmer
0-10V Dimming Driver

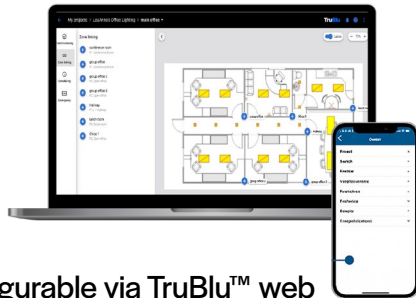
Controls

TruBlu™ Mesh Wireless PIR Ceiling Occupancy Sensor

Leads



Commissioning App



Configurable via TruBlu™ web portal or iOS mobile app



Scan to Download the App for iOS Devices