

Controls

PIR Fixture Mount Sensor

- Bluetooth® NLC Certified
- PIR Hi/Low Bay Sensor
- 100-277VAC Input Voltage
- 0-10V Output to LED Driver
- High-End Trim, Zoning, Continuous Dimming
- Relay with Zero Crossing
- Daylight Sensor for On/OFF (FM-110 version only)
- LED Motion indicator
- Mounting height up to 40ft (12.2m)
- 360° coverage pattern
- Conforms with DLC NLC5 Cybersecurity Standards
- Max Load:
240 VA @ 120VAC, 2A E-Ballast
554 VA @ 277VAC, 2A E-Ballast
- Max Bluetooth Range: 100ft (30.4m)



Specifications

Description

This device accepts universal input (120–277 VAC) and uses passive infrared (PIR) motion detection technology to deliver improved detection coverage for both high-bay and low-bay applications. It is a Class 2 device designed to satisfy CA Title 24 requirements for dimming of lighting fixtures. The occupancy sensor will shut the light off using a built-in relay.

Key Features

- Daylight detection for on/off control at set lux levels
- Ideal for exterior and parking entrance applications
- Not intended for continuous dimming daylight harvesting
- Supports fixture and ceiling mounts up to 40 ft (12.2 m)
- Optional sensor arm for aisle and stack end placement
- High Bay lens installed and optional Low Bay lens included
- Optional Mount Arm #25438 sold separately
- Operating Temp: -20° C to 60° C

Operation

- TruBlu™ Mesh with Bluetooth NLC certification
- Multi-vendor interoperability via web portal or iOS app
- Optional gateway enables energy monitoring and demand response
- 0-10V dimming compatible with LED drivers
- Built-in Zero Cross Relay for load control
- On/off daylight detection with bi-level control
- 360° coverage with mounting up to 40 ft (12.2 m)
- DLC NLC5 compliant with LED motion indicator

Note:
1. Bluetooth Range is highly dependent on the integration of fixtures, surrounding environment and conditions. It is recommended to conduct testing for range accuracy.

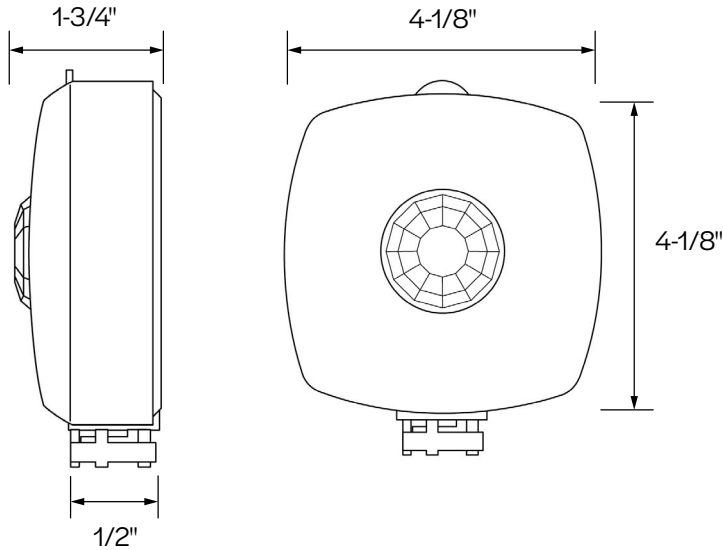
Controls

PIR Fixture Mount Sensor

Ordering Information

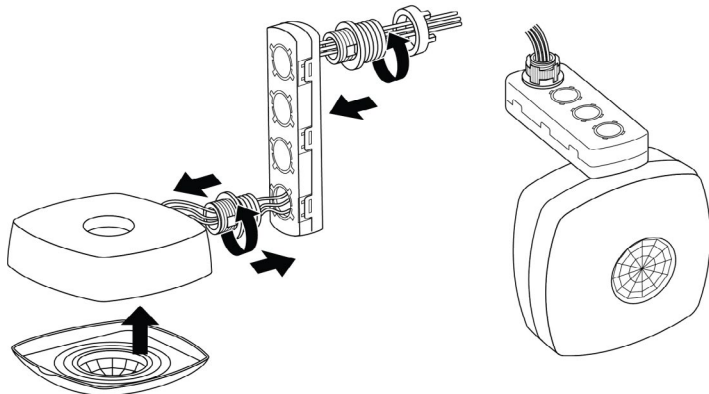
Product SKU	Product Code	Product Description
25420	PSC-BL-I-FM-110-BLE-SR	TruBlu Mesh Fixture Side Mounted Passive Infrared (PIR) Motion Sensor Highbay/Lowbay, 100-277VAC 0-10V Dimming, White (highbay lens pre-installed, low bay lens aisle covers included) Arm sold separately (25438)
Accessory		
25438	ARM	ARM for TruBlu Mesh Fixture Side Mounted Passive Infrared (PIR) Motion Sensor Highbay/Lowbay

Dimensions

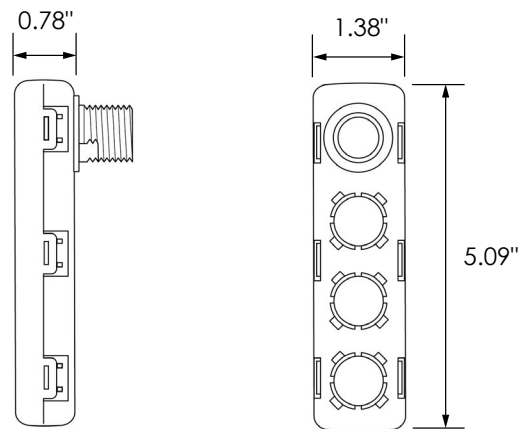


Assembly

25438 Mounting Arm (optional)



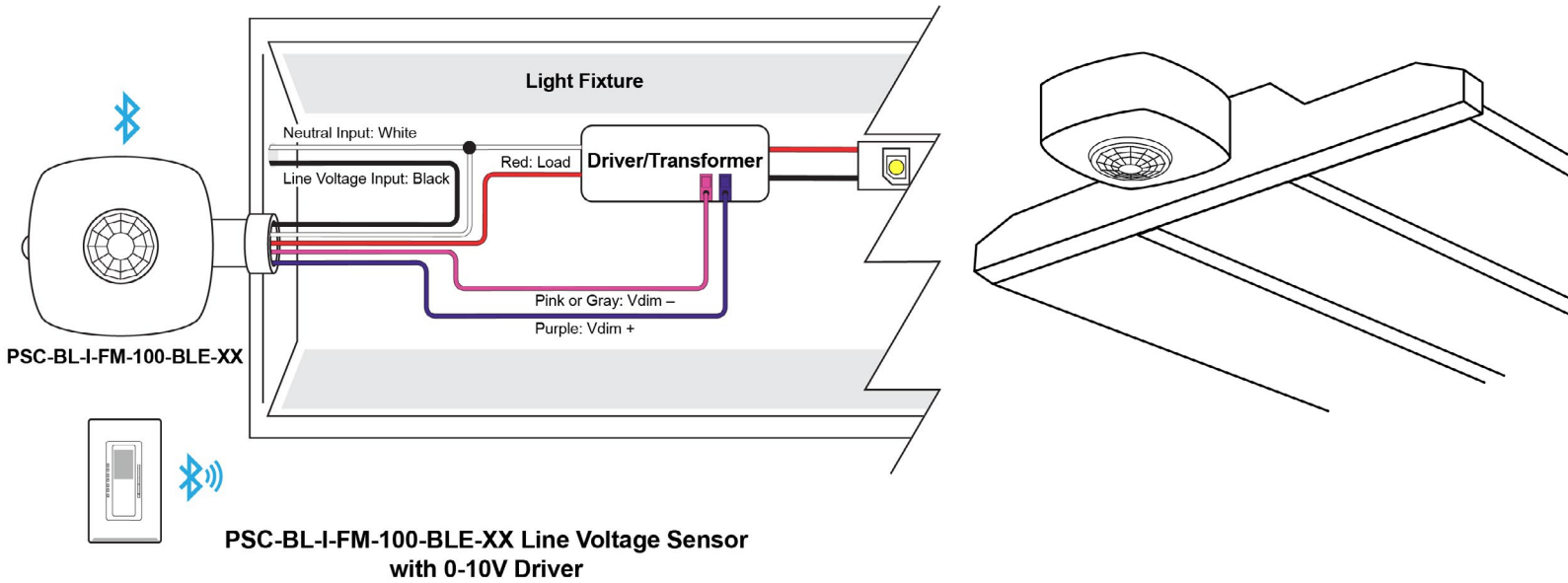
Shown with Mounting Arm (optional)



Controls

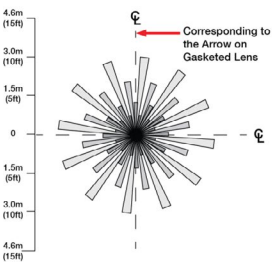
PIR Fixture Mount Sensor

Example Application

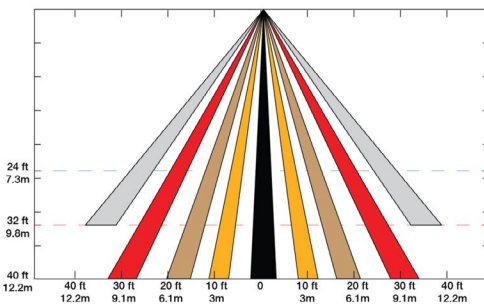


Detection Area

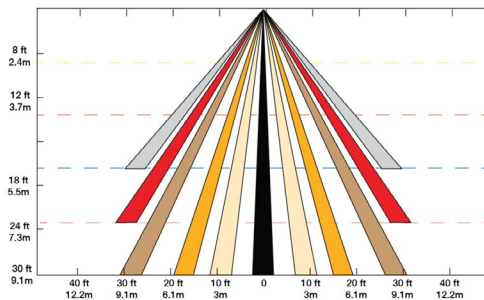
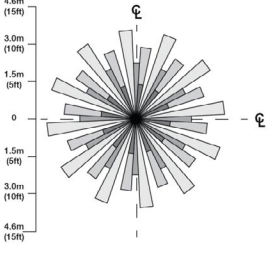
HBL: High Bay Lens - Top View at 8 ft (2.4m)



HBL: Side View



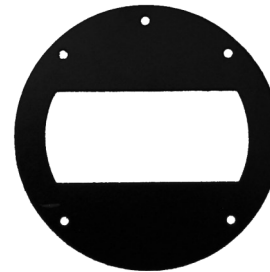
LBL: Low Bay Lens - Top View at 8 ft (2.4m)



LBL: Side View

Masking

AL1: Center aisle lens cover



AL2: End of aisle lens cover

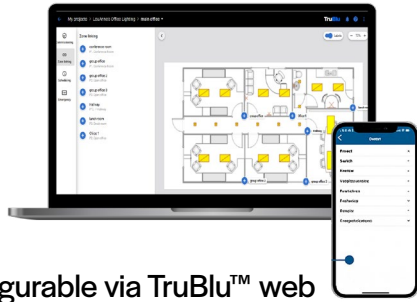


DATE: _____ LOCATION: _____
TYPE: _____ PROJECT: _____
CATALOG #: _____

Controls

PIR Fixture Mount Sensor

Commissioning App



Configurable via TruBlu™ web portal or iOS mobile app



Scan to Download the App for iOS Devices