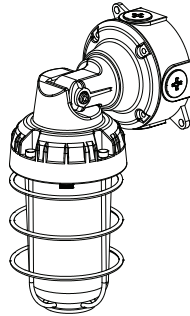


Vaportight Jelly Jar Installation Instructions



Product SKU	Product Code
12555	VPTAJR-E26-U-GR



IMPORTANT

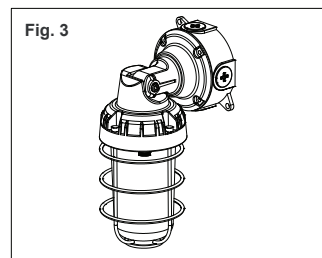
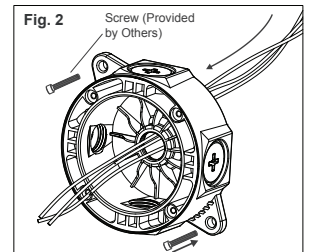
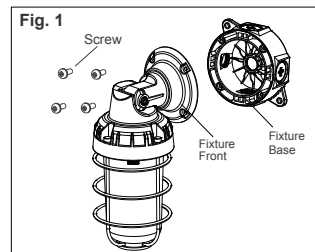
READ CAREFULLY BEFORE INSTALLING FIXTURE. RETAIN THESE INSTRUCTIONS FOR FUTURE REFERENCE.

Fixtures must be wired in accordance with the National Electrical Code and all applicable local codes. Proper grounding is required for safety. THIS PRODUCT MUST BE INSTALLED IN ACCORDANCE WITH THE APPLICABLE INSTALLATION CODE BY A PERSON FAMILIAR WITH THE CONSTRUCTION AND OPERATION OF THE PRODUCT AND THE HAZARDS INVOLVED.

WARNING: Make certain power is OFF before installing or maintaining fixture. No user serviceable parts inside.

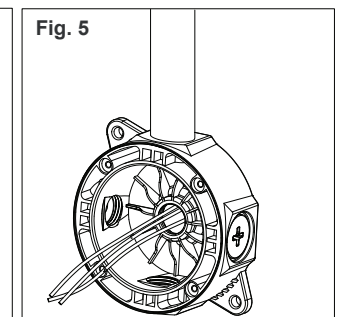
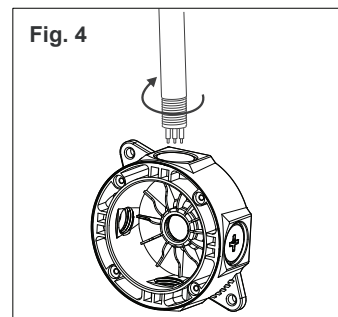
Through Wall Wiring

1. Separate the fixture front from the fixture base by loosening the (4) screws. (Fig. 1)
2. Remove the conduit plug in the back of the fixture base.
3. Feed wires from wall through the hole in the back of the fixture base. (Fig. 2)
4. Securely fasten the fixture base to the wall using appropriate hardware supplied by others.
5. Make electrical connections; see **Electrical Connections** section.
6. Reattach the fixture front to the fixture base. Alternate screws and push on the fixture front while tightening the screws to ensure that the fixture front is fully seated against the fixture base. Ensure wiring remains within the fixture base and does not get pinched. (Fig. 3)



Through Conduit Wiring

1. Separate the fixture front from the fixture base by loosening the (4) screws. (Fig. 1)
2. Securely fasten the fixture base to the wall using appropriate hardware supplied by others.
3. Secure conduit to the fixture base in the desired hole(s). (Fig. 4)
4. Feed wires through the conduit into the fixture base. (Fig. 5)
5. Make electrical connections; see **Electrical Connections** section.
6. Reattach the fixture front to the fixture base. Alternate screws and push on the fixture front while tightening the screws to ensure that the fixture front is fully seated against the fixture base. Ensure wiring remains within the fixture base and does not get pinched. (Fig. 3)



Note: Be careful not to over tighten the screws.

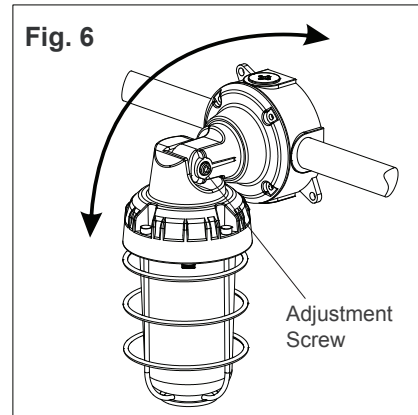
IMPORTANT: Weatherproof your outdoor installation. Be sure to seal all holes in the enclosure.

Vaportight Jelly Jar Installation Instructions



Angle Adjustment

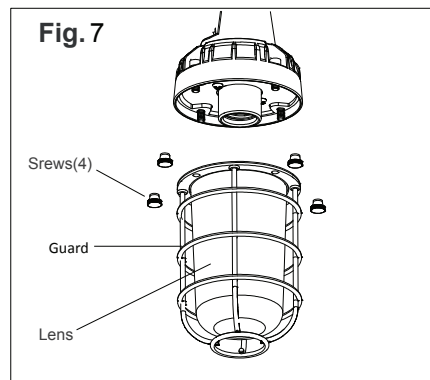
If the lamp angle needs to be adjusted, loosen the adjustment screw and rotate the fixture to the desired angle. Tighten the screw once the desired angle is achieved. (Fig. 6)



Lamp Installation

CAUTION: Prior to installing, check that the lamp is the correct wattage. Observe lamp manufacturer's recommendations on lamp operation, ballast type and burning positions.

1. Disconnect power, Make sure fixture and lamp are cool enough to touch.
2. Loosen the screws (4) by hand, Open fixture by removing guard and lens form fixture. (Fig. 7)
3. Fully insert the lamp into the socket.
4. Alternate screws and push on the mesh cover while tightening the screws to ensure that the mesh cover is fully seated against the fixture front.

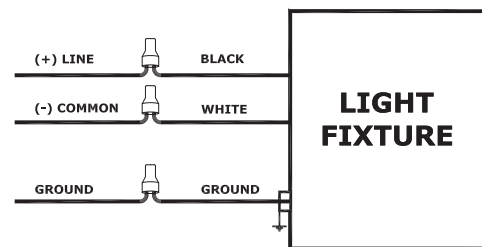


Electrical Connections

Use supply wire rated for 75 °C. The units are 120V only.
(Fig. 8)

1. Connect the black fixture lead to the LINE supply lead.
2. Connect the white fixture lead to the COMMON supply lead.
3. Connect the GROUND wire from fixture to supply ground.

Fig. 8



TROUBLESHOOTING

1. Is the proper lamp installed?
2. Make sure the lamp is not defective. Try a lamp known to be in operating condition.
3. Check that the line voltage at fixture is correct. Refer to wiring directions.
4. Is there voltage at the lamp socket? If there is no voltage, check all connections.
5. Is the fixture grounded properly?