



LED LUMINAIRES

Halco LED Linear Vaportight HLVT Series



DLC
Premium



UL Rated



RoHS
Compliant



5 YR
WARRANTY
5 Year
Warranty



Dimmable



IP66
Rated

Halco's Linear Vaportight – HLVT Series offers outstanding value and features long lasting reliability. The product is easy to install, featuring stainless steel clips, tethered LED boards, and multiple mounting options. It is the ideal industrial solution aimed to meet demanding environment needs. The lens is designed to provide visual comfort while delivering the efficient light output. The HLVT Series is guaranteed to deliver immediate energy savings and low maintenance costs. This easy-to-install vaportight is a low-cost solution rated for wet locations and stands up to the elements with its IP66 rating.



Water tight, IP66 Rated

**Durable, Impact Resistant
Housing**

Quick, Tool-less Entry

0-10V Dimmable

**Designed for Easy
Installation**

**High Penetration Lens
with Prism Design and
Ray Concentration**

**Stainless Steel Hasps
and Clips**

Applications:

Utility Lighting
Parking Garage
Stairwell Lighting
Low Bay Lighting
Manufacturing/Task Lighting

Halco
LIGHTING TECHNOLOGIES

Contact Your Customer Care Specialist
For Pricing, Orders And Technical Support.

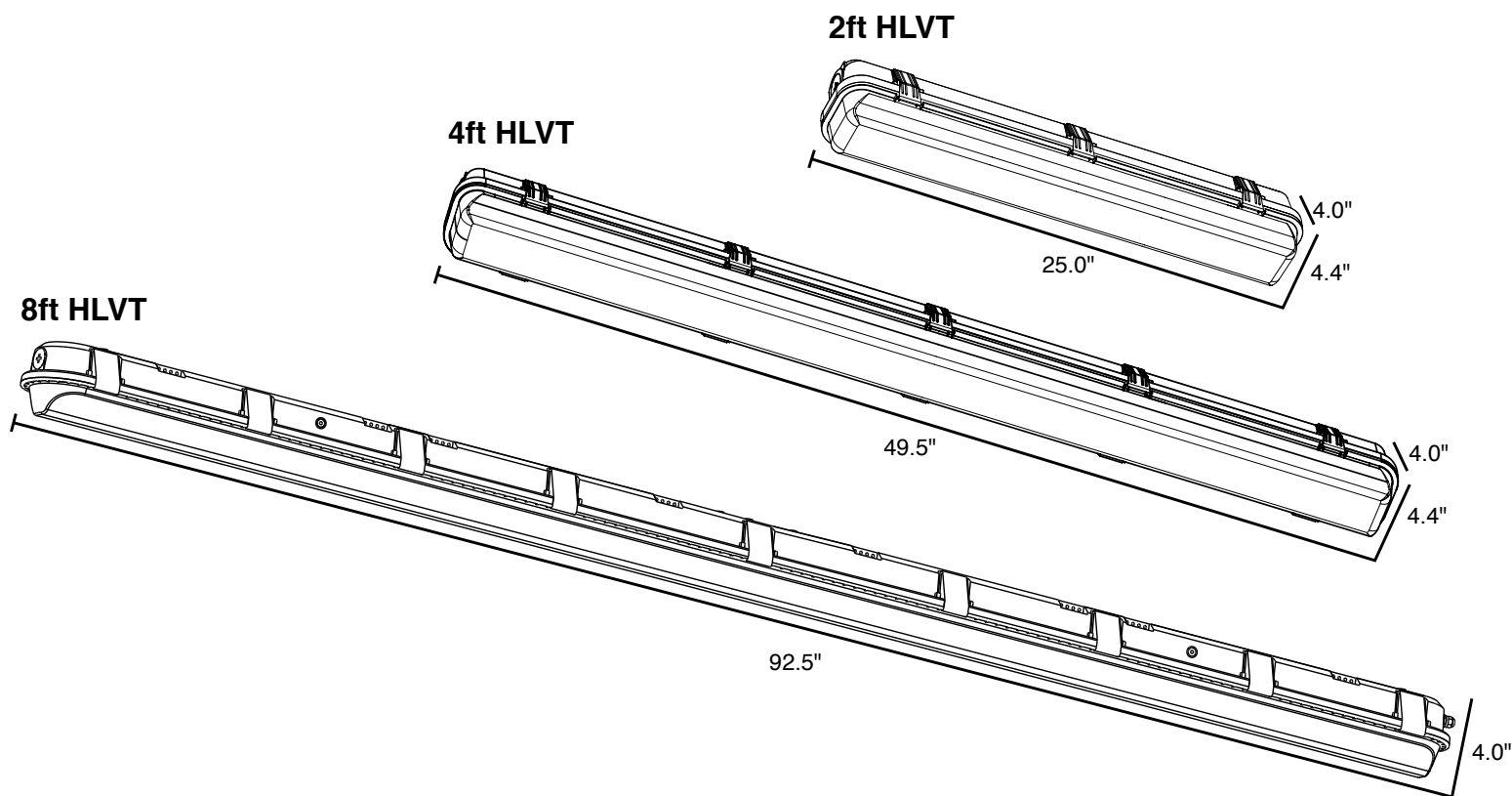
800.677.3334 www.halcolighting.com

Halco LED Linear Vaportight HLVT Series

Product #: _____ Type: _____

Project: _____ Date: _____

Comments: _____ Initials: _____



Performance

- LEDs are rated for greater than 100,000 hour life with calculated lumen maintenance >70% (L70) at 25°C.
- 0-10V dimmable driver standard available in 120-277V
- -40° To +55°C ambient operating temperature
- Power factor > 0.9
- 4kV surge protection

Design

- Designed for the harshest elements: tamperproof, waterproof, corrosion proof, and inset-proof
- Tethers connect the housing to the LED Board
- High Penetration Lens with Prism Design and Ray Concentration

Construction

- Durable, 5VA Impact-Resistant Polycarbonate Housing
- Stainless Steel Clips for Toolless Entry
- Non-Corrosive Polycarbonate Housing
- Completely Gasketed to maintain a true vaportight form

Environment

- IP66 rated
- UL wet location listed
- Rohs compliant
- Meets FCC part 15, subpart b, class a standards for conducted and radiated emissions

Certification

- All luminaires are built to UL 1598 standards, and bear appropriate culus labels for wet location
- DLC® (designlights consortium) premium qualified - see www.Designlights.Org
- IP66

Options

- Aircraft Cables
- Cord and Plug Assembly
- Microwave Multi-Level Motion Sensors
- Emergency Battery Backup

Ordering Information

Product Code	Product Number	Product Description	Wattage	Color Temp.	CRI	Voltage
HLVT2/25U40	10314	LINEAR VAPORTIGHT 2FT; 25W, 120-277V, 4000K	25W	4000K	80	120-277V
HLVT2/25U50	10315	LINEAR VAPORTIGHT 2FT; 25W, 120-277V, 5000K	25W	5000K	80	120-277V
HLVT4/40U40	10316	LINEAR VAPORTIGHT 4FT; 40W, 120-277V, 4000K	40W	4000K	80	120-277V
HLVT4/40U50	10317	LINEAR VAPORTIGHT 4FT; 40W, 120-277V, 5000K	40W	5000K	80	120-277V
HLVT8/72U40	10355	LINEAR VAPORTIGHT 8FT; 72W, 120-277V, 4000K	72W	4000K	80	120-277V
HLVT8/72U50	10356	LINEAR VAPORTIGHT 8FT; 72W, 120-277V, 5000K	72W	5000K	80	120-277V

Please Contact a Halco Representative for more information

Cord Set Options are assembled to order. Lead times apply. Battery Backup Option is Assembled to Order. Lead times apply.

Motion Sensor options are assembled to order. Lead times apply.

Halco Lighting Technologies 2940 Pacific Drive I Norcross, GA 30071 I Toll Free 800.677.3334 I Phone 770.242.3612 I Fax 800.880.0822 I halcolighting.com I Atlanta I Chicago I Cleveland I Houston I Los Angeles I Phoenix
© 2019 Halco Lighting Technologies, LLC. All rights reserved. Halco and ProLED are registered trademarks of Halco Lighting Technologies. All sizes and specifications are subject to change.

Halco LED Linear Vaportight HLVT Series

Product #: _____ Type: _____
 Project: _____ Date: _____
 Comments: _____ Initials: _____

Specification Table

Rated Wattage	25	40	72
Energy Savings	2x 17W T8	3x 32W T8	2 x 59W T8
Power Factor	> 0.9		
L70 Lifetime*	>100,000 hrs		
Input Voltage	120-277VAC		
Total Harmonic Distortion (THD)	< 15		
Surge Protection	4kV surge suppression protection tested in accordance with IEEE/ANSI C62.41.2		
Optical Distribution	110		
Mounting Options	Surface Mount Standard		
CCT	4000K & 5000K available		
Warranty	Halco Standard 5 Year, 10 Year Available		
Finish	Gray		
Wet	IP65 and UL Wet Listing		
DLC	DLC Premium		

*Useful Life is defined as the point in time at which the lamp will maintain at least 70% of its initial lumens. The lamp will continue to operate past this point at decreased light levels.. **IP rated as "dust tight" and protected against water projected from a nozzle. May not be compatible with all dimming systems, dimming performance may vary by system.
 Warranty – Commercial / Industrial: This product is warranted for 5 years from the date of purchase. ** Check the latest update at www.DesignLights.org for listed product catalog numbers. Not all versions are listed.

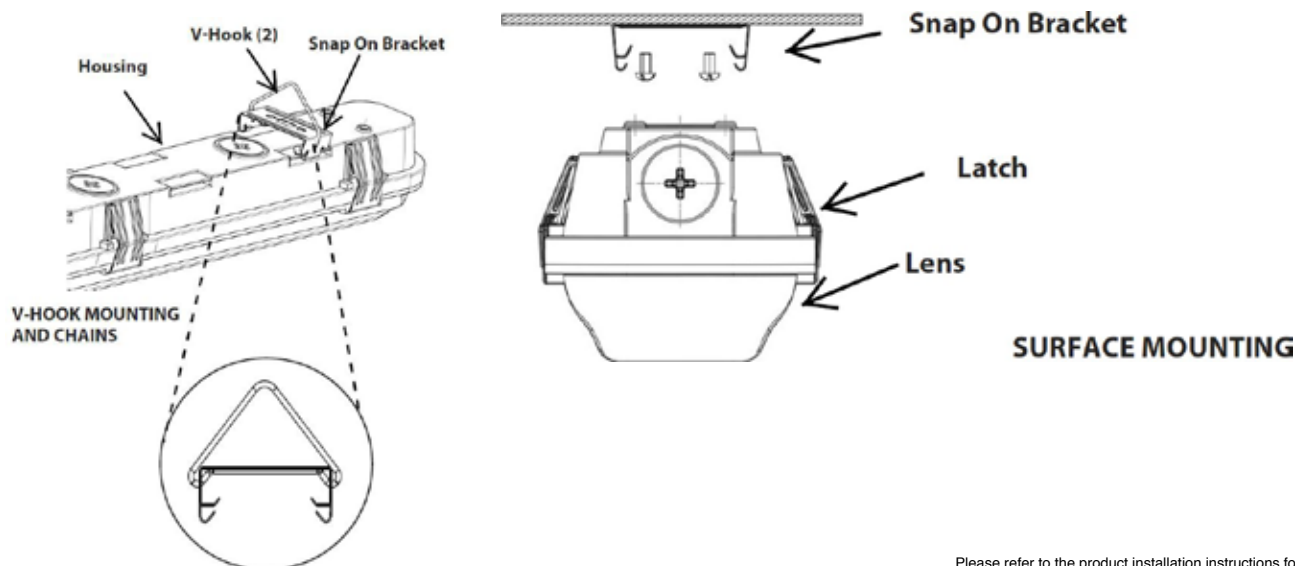
Scaled Performance Data

Rated Wattage	Scaled CRI	Rated Frequency	Power Factor	4000K		5000K	
				Scaled Lumens	Scaled Efficacy	Scaled Lumens	Scaled Efficacy
25W	80	50/60Hz	0.9	3352	134	3395	136
40W	80	50/60Hz	0.9	5348	134	5416	135
72W	80	50/60Hz	0.9	9734	135	9856	137

Accessories

Ordering Code	Product Number	Product Code	Product Description
Aircraft Cable Kit	ACC/12IN	10311	AIRCRAFT CABLE KIT; 12 INCHES, 2 PER SET
Battery Backup	BBU/EM8WU	10310	BATTERY BACKUP; EMERGENCY 8W, 120-277V, LIFEP04 BATTERY, 90 MINUTE BACKUP

Mounting Included



Please refer to the product installation instructions for more information

Halco LED Linear Vaportight HLVT Series

Product #: _____ Type: _____

Project: _____ Date: _____

Comments: _____ Initials: _____

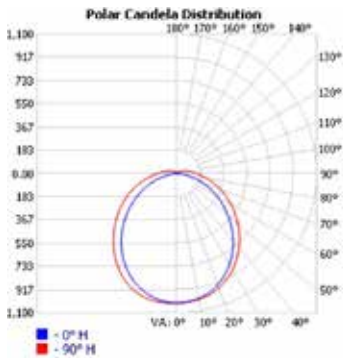
Photometric Report

Please Download ies Reports for complete photometric data.

LEGEND

- 0.25 fc
- 0.5 fc
- 1 fc
- 2 fc
- 5 fc

25 WATT



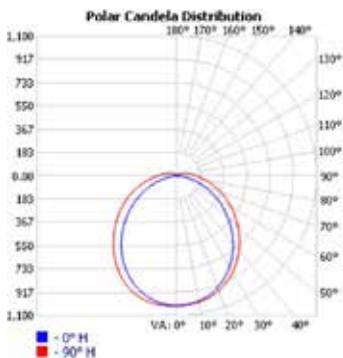
ZONAL LUMEN SUMMARY

ZONE	LUMENS	% LUMINAIRE
0-30	795.0	24.7%
0-40	1,294.3	40.3%
0-60	2,261.2	70.3%
60-90	767.2	23.9%
70-100	486.4	15.1%
90-120	164.3	5.1%
0-90	3,028.4	94.2%
90-180	187.0	5.8%
0-180	3,215.5	100%

LUMENS PER ZONE

ZONE	LUMENS	% TOTAL	ZONE	LUMENS	% TOTAL
0-10	96.8	3.0%	90-100	85.3	2.7%
10-20	278.2	8.7%	100-110	50.7	1.6%
20-30	420.0	13.1%	110-120	28.3	0.9%
30-40	499.3	15.5%	120-130	14.2	0.4%
40-50	508.8	15.8%	130-140	5.7	0.2%
50-60	458.1	14.2%	140-150	1.7	0.1%
60-70	366.1	11.4%	150-160	0.6	0%
70-80	253.4	7.9%	160-170	0.4	0%
80-90	147.7	4.6%	170-180	0.1	0%

40 WATT*



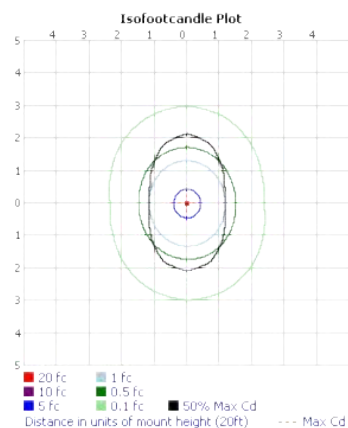
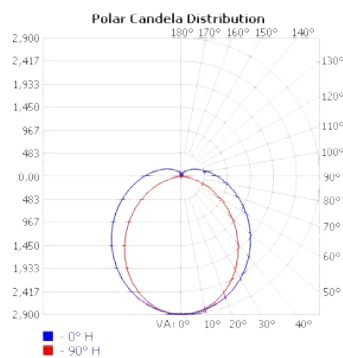
ZONAL LUMEN SUMMARY

ZONE	LUMENS	% LUMINAIRE
0-30	795.0	24.7%
0-40	1,294.3	40.3%
0-60	2,261.2	70.3%
60-90	767.2	23.9%
70-100	486.4	15.1%
90-120	164.3	5.1%
0-90	3,028.4	94.2%
90-180	187.0	5.8%
0-180	3,215.5	100%

LUMENS PER ZONE

ZONE	LUMENS	% TOTAL	ZONE	LUMENS	% TOTAL
0-10	96.8	3.0%	90-100	85.3	2.7%
10-20	278.2	8.7%	100-110	50.7	1.6%
20-30	420.0	13.1%	110-120	28.3	0.9%
30-40	499.3	15.5%	120-130	14.2	0.4%
40-50	508.8	15.8%	130-140	5.7	0.2%
50-60	458.1	14.2%	140-150	1.7	0.1%
60-70	366.1	11.4%	150-160	0.6	0%
70-80	253.4	7.9%	160-170	0.4	0%
80-90	147.7	4.6%	170-180	0.1	0%

72 WATT



ZONAL LUMEN SUMMARY

ZONE	LUMENS	% LUMINAIRE
0-30	2,207.5	21.7%
0-40	3,586.7	35.3%
0-60	6,331.8	62.3%
60-90	2,568.6	25.3%
70-100	1,878.3	18.5%
90-120	916.8	9%
0-90	8,900.5	87.6%
90-180	1,263.5	12.4%
0-180	10,163.9	100%

LUMENS PER ZONE

ZONE	LUMENS	% TOTAL	ZONE	LUMENS	% TOTAL
0-10	272.6	2.7%	90-100	421.5	4.1%
10-20	775.2	7.6%	100-110	294.2	2.9%
20-30	1,159.7	11.4%	110-120	201.1	2%
30-40	1,379.1	13.6%	120-130	135.9	1.3%
40-50	1,424.2	14.0%	130-140	91.1	0.9%
50-60	1,321.0	13.0%	140-150	59.2	0.6%
60-70	1,111.8	10.9%	150-160	36.0	0.4%
70-80	852.3	8.4%	160-170	18.8	0.2%
80-90	604.5	5.9%	170-180	5.7	0.1%