

# ProLED® 4", 6" and 8" LED Commercial Downlight Retrofit Installation Instructions



## IMPORTANT

READ INSTRUCTIONS CAREFULLY BEFORE INSTALLING. KEEP THESE INSTRUCTIONS FOR FUTURE REFERENCE. PROLED LUMINAIRES MUST BE WIRED IN ACCORDANCE WITH THE NATIONAL ELECTRICAL CODE AND ALL APPLICABLE LOCAL CODES. PROPER GROUNDING IS REQUIRED FOR SAFETY. THIS PRODUCT MUST BE INSTALLED IN ACCORDANCE WITH THE APPLICABLE INSTALLATION CODE BY A QUALIFIED ELECTRICIAN WHO IS FAMILIAR WITH THE CONSTRUCTION AND OPERATION OF THE PRODUCT AND THE HAZARDS INVOLVED.

- WARNING** - Risk of fire or electric shock. ProLED Downlight Series installation requires knowledge of the luminaires' electrical systems. If not qualified, DO NOT attempt installation. Contact a qualified electrician.
- WARNING** - Risk of fire or electric shock. Install this kit only in luminaires that have the construction features and dimensions shown in the photographs and/or drawings. Luminaires wiring, power supply, or other electrical parts may be damaged when drilling for installation of retrofit assembly hardware. Inspect wiring and components for damage. DO NOT make or alter any open holes in an enclosure of wiring or electrical components during kit installation.
- WARNING** - To prevent wiring damage or abrasion, DO NOT expose wiring to edges of sheet metal or other sharp objects.
- WARNING** - Risk of fire or electric shock. DO NOT alter, relocate, or remove wiring, lamp holders, power supply, or any other electrical component.
- WARNING** - Install this kit only in the luminaires that has the construction features and dimensions shown in the photographs and/or drawings and where the input rating of the retrofit kit does not exceed the input rating of the luminaire.
- WARNING** - This device is not intended for use with emergency exits.

## DANGER - RISK OF SHOCK-DISCONNECT POWER BEFORE INSTALLATION

**CAUTION:** To avoid possible electrical shock, be sure that power supply is turned off at fuse box or circuit breaker before installing or servicing luminaire. For your safety, read and understand instructions completely before beginning installation.

## WARRANTY INFORMATION:

This product is warranted for 5 years from the date of purchase. If this product does not perform to the specifications supplied on this package, send an email or write to the address below for product return and replacement. This replacement is the sole remedy available. Liability for incidental or consequential damage is expressly excluded. Visit [www.halcolighting.com](http://www.halcolighting.com) for full warranty details and dimmer compatibility information.

## Please read carefully and save these instructions, as you may need them at a later date.

1. Suitable for use in type ic or non-ic recessed luminaires - min lamp compartment min 4 inch diameter.
2. Suitable for dry, damp locations.
3. Only those open holes indicated in the photographs and/or drawings may be made or altered as a result of kit installation. Do not leave any other open holes in an enclosure of wiring or electrical components.
4. Do not make or alter any open holes in an enclosure of wiring or electrical components during kit installation.
5. Warning – to prevent wiring damage or abrasion, do not expose wiring to edges of sheet metal or other sharp objects.
6. This retrofit kit is accepted as a component of a luminaire where the suitability of the combination shall be determined by authorities having jurisdiction.
7. Installers should not disconnect existing wires from lampholder terminals to make new connections at lampholder terminals. Instead installers should cut existing lampholder leads away from the lampholder and make new electrical connections to lampholder.

Product Code	Input Voltage (V)	Input Current (mA)	Input Wattage (W)	Color Accuracy (CRI)	Lumens (lm)	Ceiling Hole inches (mm)
CDL4FR10/9XX/RTJB/LED	110-277	0.089	10	90	700	4" (101.6mm) - 4.30" (109.2mm)
CDL6FR15/9XX/RTJB/LED	110-277	0.127	15	90	1000	4.80" (121.9mm)- 6.20" (157.4mm)
CDL8FR30/9XX/RTJB/LED	110-277	0.255	30	90	2000	7.50" (190.5mm) - 8.20" (208.2mm)

**INSTALLATION INSTRUCTIONS:**

This IC/AT fixture is intended for use in suspended ceilings(with or without insulation). Shut off power before installation.

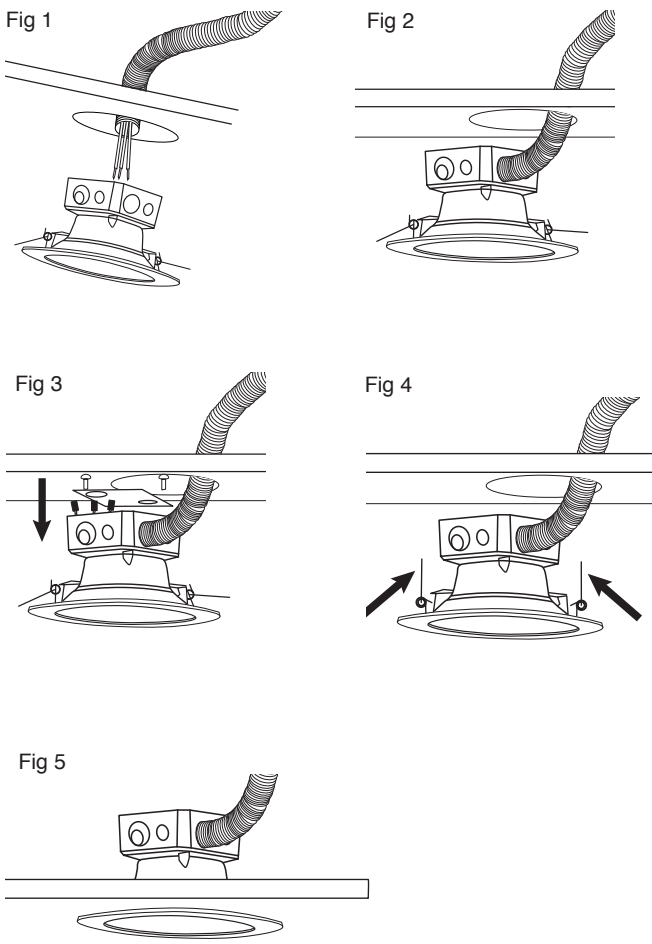
1. TURN OFF THE POWER AT CIRCUIT BREAKER PRIOR TO INSTALLATION. Remove the diffuser and existing bulb if necessary. Remove the existing trim.  
When running the supply wires, allow for additional 18 inch of wire at each installation in order to make the electrical connections on the room side of the ceiling hole.

3. Press the top portion of the remodel clips up and against the side of the housing assembly.

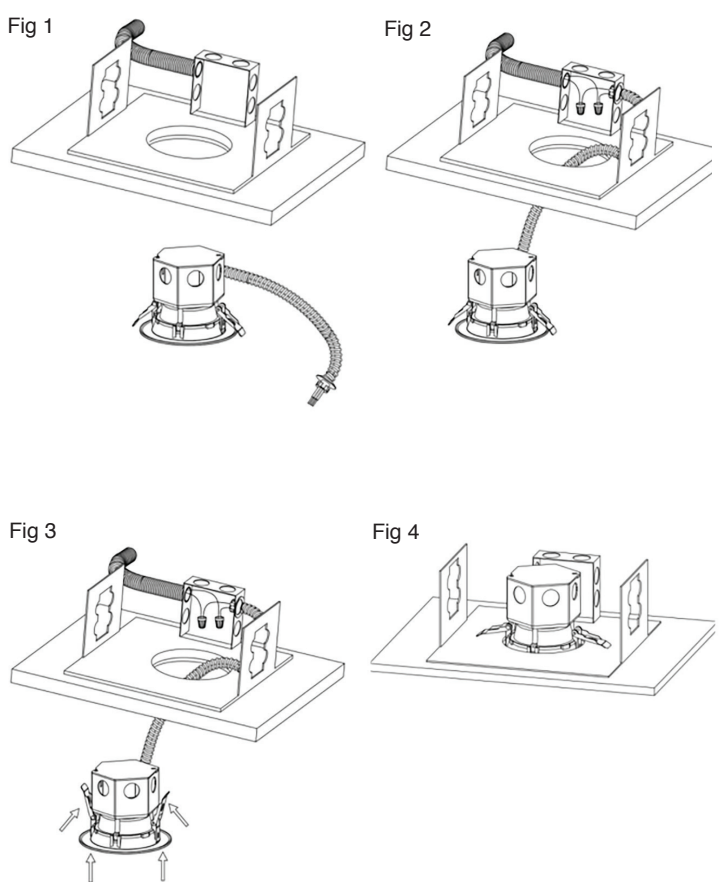
2. Remove the junction box screws holding the junction box cover. Pass the supply wires through the appropriate knockout hole on the junction box. Make the electrical connections to fit inside the junction box following the electrical connections. Make sure all connections are secure, tuck all the wires inside the junction box and reinstall the junction box cover using the junction box screws.

4. Push the housing assembly with the top side of the remodel clips through the hole until tight. Continue to push the housing assembly until the fixture snaps into place with the trim tight against the ceiling.

**CEILING TILE AND SHEETROCK:**



**COMMERCIAL RECESSED HOUSING:**



**Dimming**

Dimming performance may depend on the dimmer, the dimmer range adjustment setting (for dimmers with brightness range adjustments), the wiring method, and/or the number of LED modules installed on the dimmer circuit.

\*For dimmer selection, Dimming control manufacturers revise their products often; for the latest list of compatible dimmers please visit our website at [www.halcolighting.com](http://www.halcolighting.com).

\*For best results, it is recommended to install a minimum of four LED modules onto one dimmer.

\*Before turning on the LED lights, set dimmer position at full brightness before adjusting to a lower light level.

\*Please follow the dimming control manufacturer's instructions for the installation of all dimming controls.