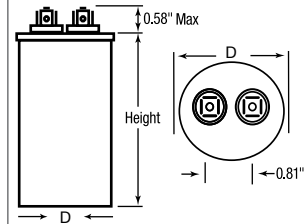


## ProLume. Pulse Start Metal Halide Ballast Specifications

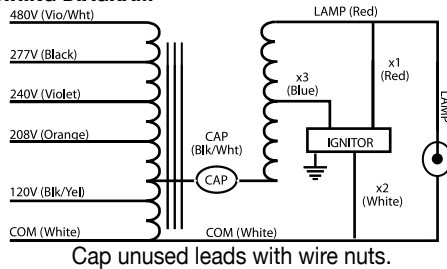
BALLAST SPECIFICATIONS					
Input Volts	120V	208V	240V	277V	480V
Frequency	60HZ				
Circuit Type	CWA				
Input Power	410W				
Starting Current	2.0A	1.2A	1.0A	0.9A	0.5A
Operating Current	3.4A	2.0A	1.7A	1.5A	0.9A
Open Circuit Current	1.6A	0.9A	0.8A	0.7A	0.4A
Recommended Fuse	10A	7A	5A	5A	3A
Open Circuit Volts	265V				
Short Circuit Current (Input)	1.0-3.0A	0.6-1.8A	0.5-1.5A	0.4-1.2A	0.3-0.9A
Short Circuit Current (Secondary)	2.8-4.2A				
Insulation System	Class N, 200°C				
UL 1029 Bench Top Rise Code	A	A	A	A	A
Min. Starting Temp	-22°F / -30°C				

### CAPACITOR

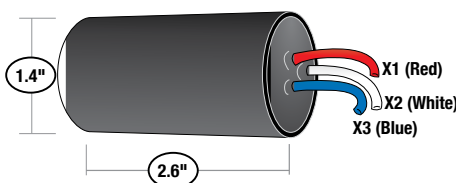


Diameter: 1.88"  
Height: 3.75"  
Cap.: 24µF  
Minimum Volts: 330V  
Case Max. Temp.: 90°C

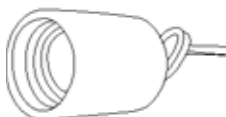
### WIRING DIAGRAM



### IGNITOR

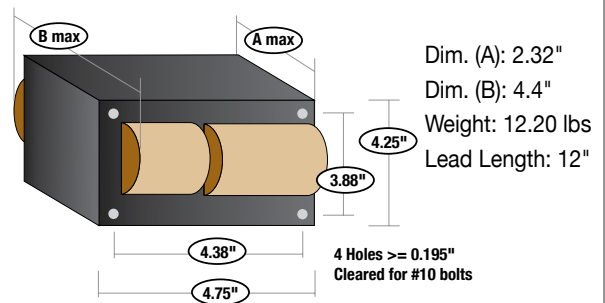


### SOCKETS



Product Number	Product Code	Terminal	Lead Length
91010	SKT/E39/4KV	Screw	10"
91011	SKT/E26/4KV	Screw	18"

### BALLAST DIMENSIONS



Actual performance can vary depending on operating conditions. Specifications are subject to change without notice. All specifications are nominal unless otherwise noted.