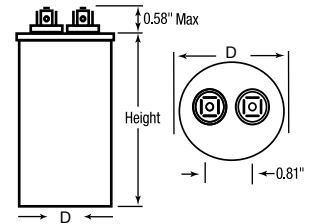


### ProLume. Metal Halide Ballast Specifications

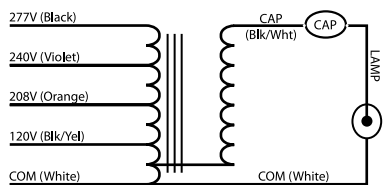
BALLAST SPECIFICATIONS				
Input Volts	120V	208V	240V	277V
Frequency	60Hz			
Circuit Type	CWA			
Input Power	202W			
Starting Current	1.4A	0.8A	0.7A	0.6A
Operating Current	1.8A	1.0A	0.9A	0.8A
Open Circuit Current	1.2A	0.7A	0.6A	0.5A
Recommended Fuse	10A	5A	4A	3A
Open Circuit Volts	282V			
Short Circuit Current (Input)	0.7-2.1A	0.4-1.2A	0.3-0.9A	0.3-0.9A
Short Circuit Current (Secondary)	1.5-2.5A			
Insulation System	Class N, 200°C			
UL 1029 Bench Top Rise Code	A	A	A	A
Min. Starting Temp	-22°F / -30°C			

#### CAPACITOR



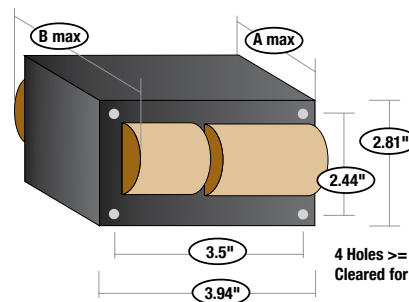
Diameter: 1.88"  
 Height: 2.36"  
 Cap.: 10µF  
 Minimum Volts: 400V  
 Case Max. Temp.: 90°C

#### WIRING DIAGRAM



Cap unused leads with wire nuts.

#### BALLAST DIMENSIONS



Dim. (A): 2.60"  
 Dim. (B): 4.02"  
 Weight: 6.9 lbs  
 Lead Length: 12"

4 Holes  $\geq 0.195"$   
 Cleared for #10 bolts

Actual performance can vary depending on operating conditions. Specifications are subject to change without notice. All specifications are nominal unless otherwise noted.

PN# 55140

