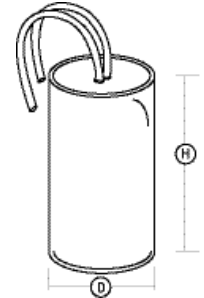


ProLume.

Pulse Start Metal Halide Ballast Specifications

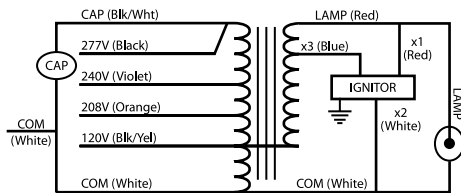
BALLAST SPECIFICATIONS				
Input Volts	120V	208V	240V	277V
Frequency	60Hz			
Circuit Type	HX-HPF			
Input Power	182W			
Starting Current	1.9A	1.2A	1.0A	0.9A
Operating Current	1.6A	1.0A	0.9A	0.8A
Open Circuit Current	3.4A	2.0A	1.7A	1.5A
Recommended Fuse	10A	5A	5A	4A
Open Circuit Volts	255V			
Short Circuit Current (Input)	0.9-2.7A	0.5-1.5A	0.4-1.2A	0.4-1.2A
Short Circuit Current (Secondary)	1.8-3.0A			
Insulation System	Class N, 200°C			
UL 1029 Bench Top Rise Code	A	A	A	A
Min. Starting Temp	-22°F / -30°C			

CAPACITOR



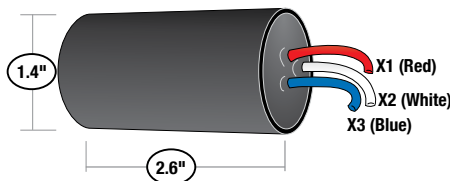
Diameter: 1.38"
 Height: 3.08"
 Cap.: 16µF
 Minimum Volts: 280V
 Case Max. Temp.: 100°C

WIRING DIAGRAM



Cap unused leads with wire nuts.

IGNITOR

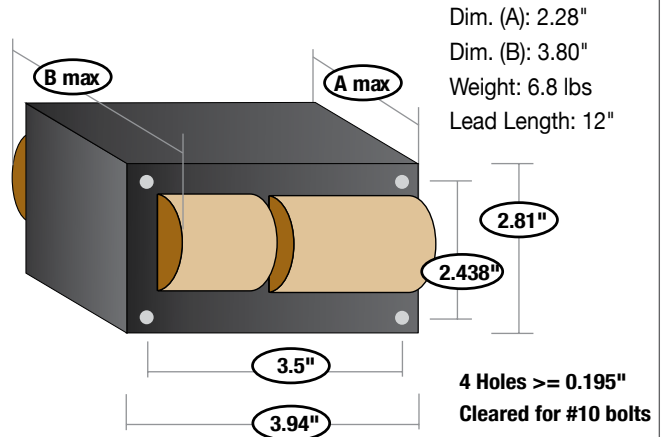


SOCKETS



Product Number	Product Code	Terminal	Lead Length
91010	SKT/E39/4KV	Screw	10"
91011	SKT/E26/4KV	Screw	18"

BALLAST DIMENSIONS



Dim. (A): 2.28"
 Dim. (B): 3.80"
 Weight: 6.8 lbs
 Lead Length: 12"

4 Holes \geq 0.195"
 Cleared for #10 bolts

Actual performance can vary depending on operating conditions. Specifications are subject to change without notice. All specifications are nominal unless otherwise noted.

PN# 55138

