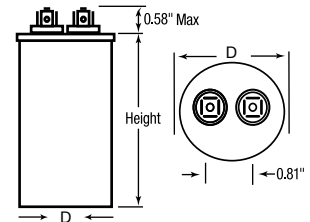


ProLume. High Pressure Sodium Ballast Specifications

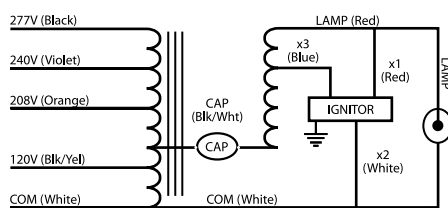
BALLAST SPECIFICATIONS				
Input Volts	120V	208V	240V	277V
Frequency	60Hz			
Circuit Type	CWA			
Input Power	1030W			
Starting Current	8.2A	4.8A	4.1A	3.6A
Operating Current	8.8A	5.1A	4.4A	3.9A
Open Circuit Current	3.0A	1.8A	1.6A	1.4A
Recommended Fuse	25A	15A	10A	10A
Open Circuit Volts	430V			
Short Circuit Current (Input)	4.0-12.0A	2.2-6.6A	2.0-6.0A	1.8-5.4A
Short Circuit Current (Secondary)	4.7-8.0A			
Insulation System	Class N, 200°C			
UL 1029 Bench Top Rise Code	A	A	A	A
Min. Starting Temp	-40°F / -40°C			

CAPACITOR



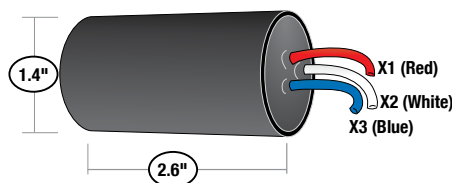
Diameter: 2.08"
Height: 4.72"
Cap.: 26µF
Minimum Volts: 525V
Case Max. Temp.: 90°C

WIRING DIAGRAM



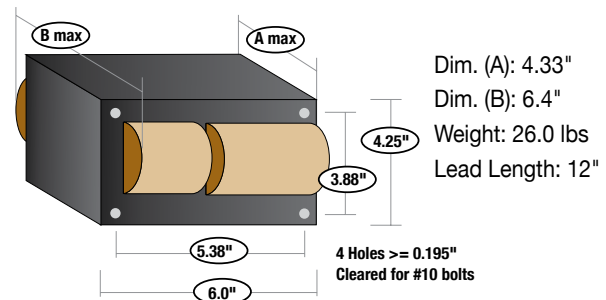
Cap unused leads with wire nuts.

IGNITOR



IGN/HPS3

BALLAST DIMENSIONS



Actual performance can vary depending on operating conditions. Specifications are subject to change without notice. All specifications are nominal unless otherwise noted.

PN# 55128

