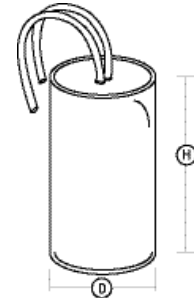


ProLume. High Pressure Sodium Ballast Specifications

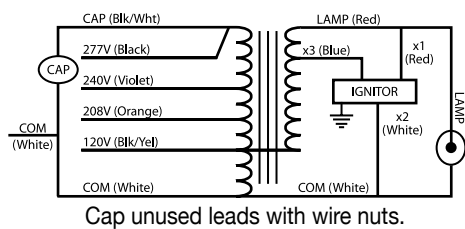
BALLAST SPECIFICATIONS				
Input Volts	120V	208V	240V	277V
Frequency	60Hz			
Circuit Type	HX-HPF			
Input Power	182W			
Starting Current	1.6A	0.9A	0.8A	0.7A
Operating Current	1.5A	0.9A	0.8A	0.7A
Open Circuit Current	3.0A	1.7A	1.5A	1.3A
Recommended Fuse	5A	3A	3A	3A
Open Circuit Volts	121V			
Short Circuit Current (Input)	0.8-2.4A	0.5-1.5A	0.4-1.2A	0.3-0.9A
Short Circuit Current (Secondary)	3.5-5.4A			
Insulation System	Class N, 200°C			
UL 1029 Bench Top Rise Code	A	A	A	A
Min. Starting Temp	-40°F / -40°C			

CAPACITOR

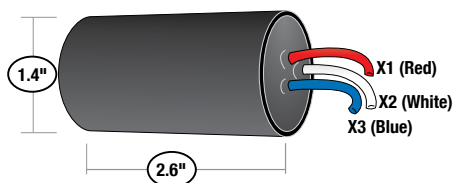


Diameter: 1.38"
Height: 2.74"
Cap.: 14µF
Minimum Volts: 280V
Case Max. Temp.: 100°C

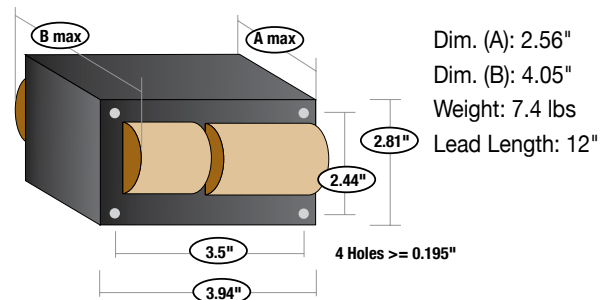
WIRING DIAGRAM



IGNITOR



BALLAST DIMENSIONS



Actual performance can vary depending on operating conditions. Specifications are subject to change without notice. All specifications are nominal unless otherwise noted.

PN# 55116

