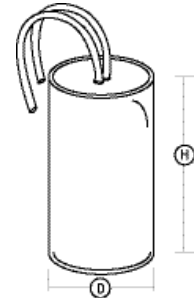


### ProLume. High Pressure Sodium Ballast Specifications

PN# 55102

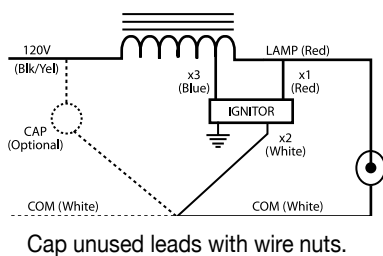
BALLAST SPECIFICATIONS	
Input Volts	120V
Frequency	60Hz
Circuit Type	R-HPF
Input Power	54W
Starting Current	0.6A
Operating Current	0.4A
Open Circuit Current	0.8A
Recommended Fuse	3A
Open Circuit Volts	120V
Short Circuit Current (Input)	0.4-1.2A
Short Circuit Current (Secondary)	0.8-1.3A
Insulation System	Class H, 180°C
UL 1029 Bench Top Rise Code	A
Min. Starting Temp	-22°F / -30°C

#### CAPACITOR\*

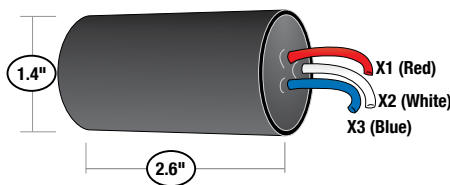


Diameter: 1.38"  
 Height: 3.17"  
 Cap.: 14µF  
 Minimum Volts: 120V  
 Case Max. Temp.: 150°C  
 \*Capacitor is optional and not included

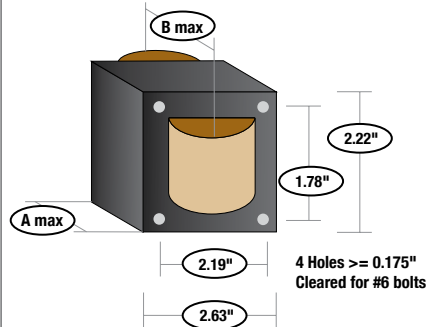
#### WIRING DIAGRAM



#### IGNITOR



#### BALLAST DIMENSIONS



Dim. (A): 0.61"  
 Dim. (B): 1.8"  
 Weight: 1.1 lbs  
 Lead Length: 12"

Actual performance can vary depending on operating conditions. Specifications are subject to change without notice. All specifications are nominal unless otherwise noted.

PN# 55102

