

ProLume

Electronic Compact Fluorescent Ballast Specifications

Ballast Type: Electronic Compact Fluorescent Kit

Starting Method: Programmed Start

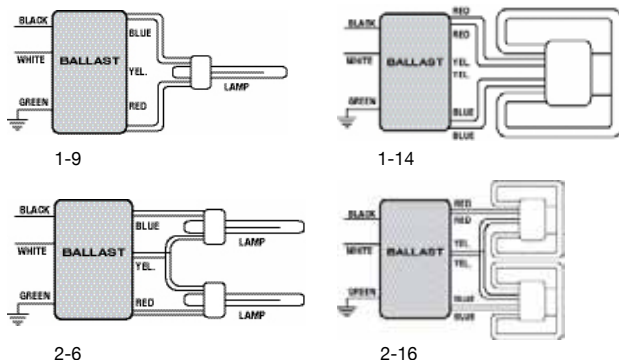
Lamp Connection: Series

Input Voltage: 120-277V

Input Frequency: 50/60Hz

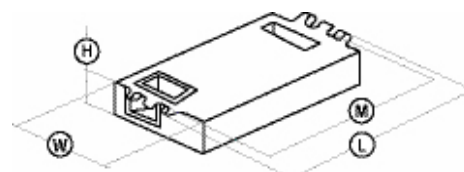
Lamp Type	# of Lamps	Volts	Rated Lamp Watts	Min. Start Temp (°F/°C)	Input Current (Amps)	Input Power (Watts)	Ballast Factor	THD %	Power Factor	B. E. F.	Wire Diag.
PL18D/E/G24q	2	120	18	0/-18	0.30	35	0.95	<10	0.99	2.71	2-6
		277			0.13						
PL18D/E/G24q	1	120	18	0/-18	0.16	19	1.00	<10	0.97	5.26	1-9
		277			0.07						
PL18T/E/GX24q	2	120	18	0/-18	0.33	39	1.00	<10	0.99	2.56	2-6
		277			0.14						
PL18T/E/GX24q	1	120	18	0/-18	0.17	20	1.05	<10	0.97	5.25	1-9
		277			0.08						
PL26D/E/G24q	1	120	26	0/-18	0.24	28	1.00	<12	0.99	3.57	1-9
		277			0.10						
PL26T/E/GX24q	1	120	26	0/-18	0.24	28	1.00	<12	0.99	3.57	1-9
		277			0.10						
PL16/2D/GR10q	2	120	16	0/-18	0.31	37	1.00	<10	0.99	2.70	2-16
		277			0.13						
PL21/2D/GR10q	2	120	21	0/-18	0.33	40	0.90	<15	0.99	2.25	2-16
		277			0.14						
PL21/2D/GR10q	1	120	21	0/-18	0.16	20	0.90	<10	0.97	4.50	1-14
		277			0.07						
PL28/2D/GR10q	1	120	28	0/-18	0.26	31	1.00	<10	0.99	3.23	1-14
		277			0.11						

WIRING DIAGRAMS



OCV: <300V

CASE DIAGRAM



CASE DIMENSIONS

Overall (L)	Width (W)	Height (H)	Mounting (M)
4.63"	2.41"	1.00"	5.00"

This ballast uses Quick-Connect Technology

Actual performance can vary depending on operating conditions. Specifications are subject to change without notice. All specifications are nominal unless otherwise noted.



PN# 52104