

ProLume

Electronic Compact Fluorescent Ballast Specifications

Ballast Type: Electronic Compact Fluorescent Kit

Starting Method: Programmed Start

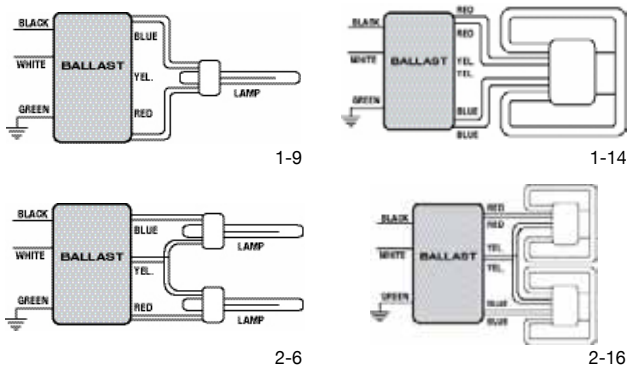
Lamp Connection: Series

Input Voltage: 120-277V

Input Frequency: 50/60Hz

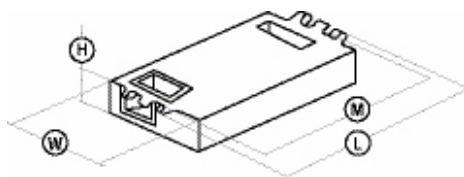
Lamp Type	# of Lamps	Volts	Rated Lamp Watts	Min. Start Temp (°F/°C)	Input Current (Amps)	Input Power (Watts)	Ballast Factor	THD %	Power Factor	B. E. F.	Wire Diag.
PL13D/E/G24q	2	120	13	0/-18	0.27	29	1.00	<10	0.99	3.45	2-6
		277			0.12						
PL13D/E/G24q	1	120	13	0/-18	0.16	16	1.00	<10	0.96	6.25	1-9
		277			0.07						
PL13T/E/GX24q	2	120	13	0/-18	0.25	29	1.00	<10	0.99	3.45	2-6
		277			0.11						
PL13T/E/GX24q	1	120	13	0/-18	0.15	16	1.00	<10	0.96	6.25	1-9
		277			0.06						
PL18D/E/G24q	1	120	18	0/-18	0.17	20	1.00	<12	0.99	5.00	1-9
		277			0.07						
PL18T/E/GX24q	1	120	18	0/-18	0.17	17	1.00	<12	0.99	5.00	1-9
		277			0.07						
PL10/2D/GR10q	2	120	10	0/-18	0.19	23	0.95	<15	0.97	4.13	2-16
		277			0.09						
PL10/2D/GR10q	1	120	10	0/-18	0.11	13	1.05	<15	0.96	8.08	1-14
		277			0.05						
PL16/2D/GR10q	1	120	16	0/-18	0.16	29	1.00	<12	0.96	5.88	1-14
		277			0.07						

WIRING DIAGRAMS



OCV: <300V

CASE DIAGRAM



CASE DIMENSIONS

Overall (L)	Width (W)	Height (H)	Mounting (M)
4.63"	2.41"	1.00"	5.00"

This ballast uses Quick-Connect Technology

Actual performance can vary depending on operating conditions. Specifications are subject to change without notice. All specifications are nominal unless otherwise noted.



PN# 52102