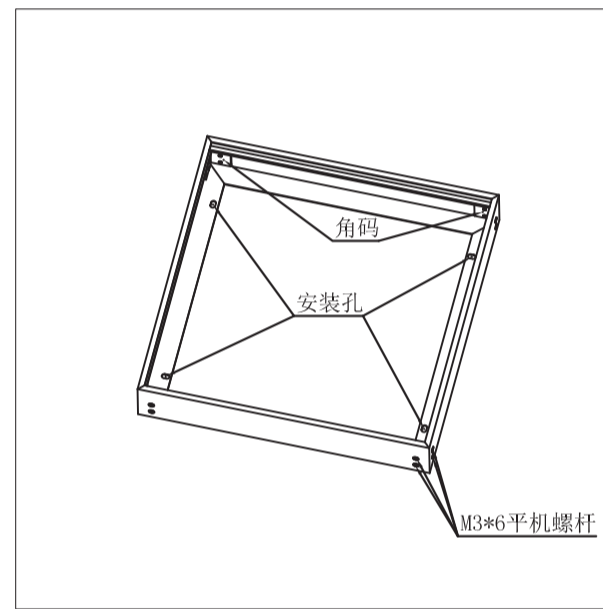


Installation Instruction for LED Panel (Surface Mounted)

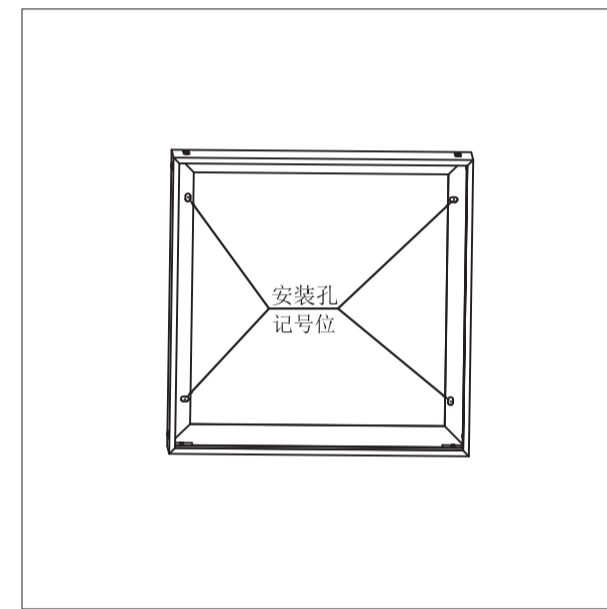
Note: This instruction just for machinery installation.

1. Please check the fitting bag with components list
2. Assemble the four frames by 4 connectors and 16pcs short screws to a square box

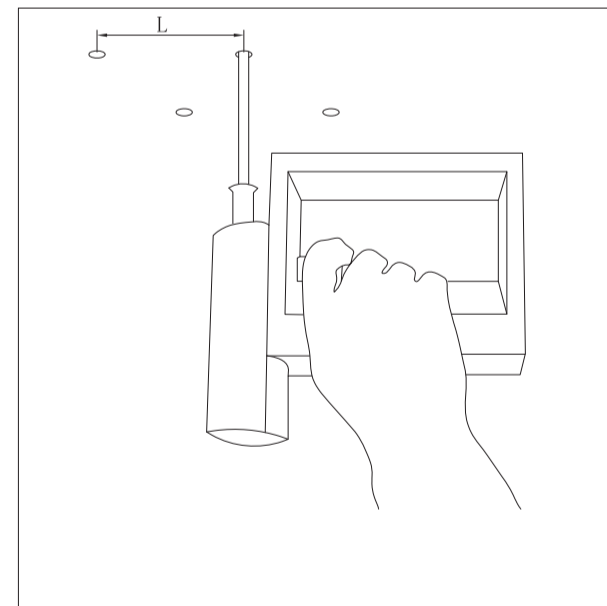


Please mind to assemble two frames with mounting holes in corresponding two sides to avoid slipping

3. Hold the box against the ceiling where you install the LED panel and mark the position of screw holes. Leave the fourth frame open to insert the LED panel

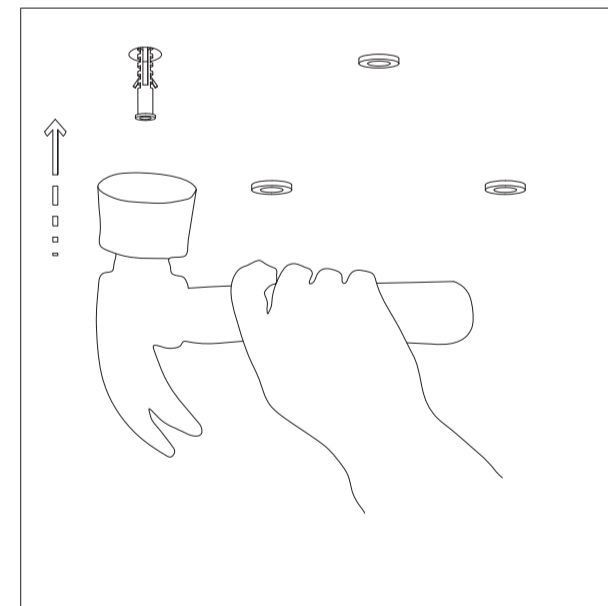


4. Drill the holes according to the marks.
(Size of the holes: Dia 6mm, Depth 35mm)

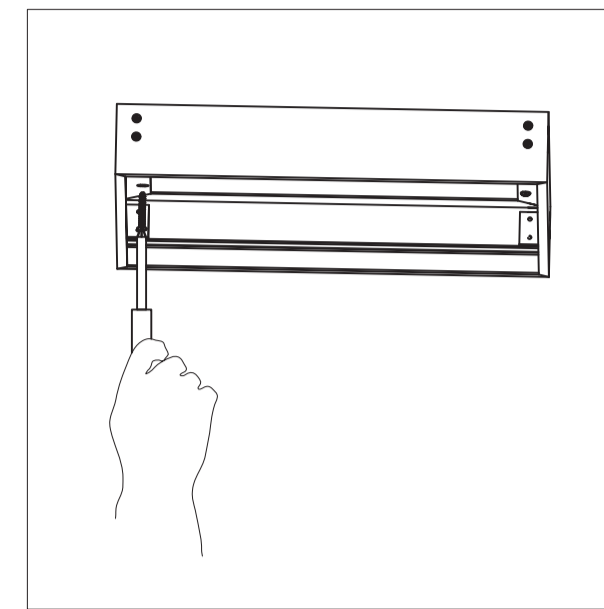


Please ensure the ceiling is concrete solid construction with thickness at least 50mm! Or it may cause the screw anchors loose, even fall out. The dia of hole can't be larger than!

5. Put the screw anchors into corresponding holes and knock them into the ceiling by a hammer until the outer edge of the screws along ceiling surface

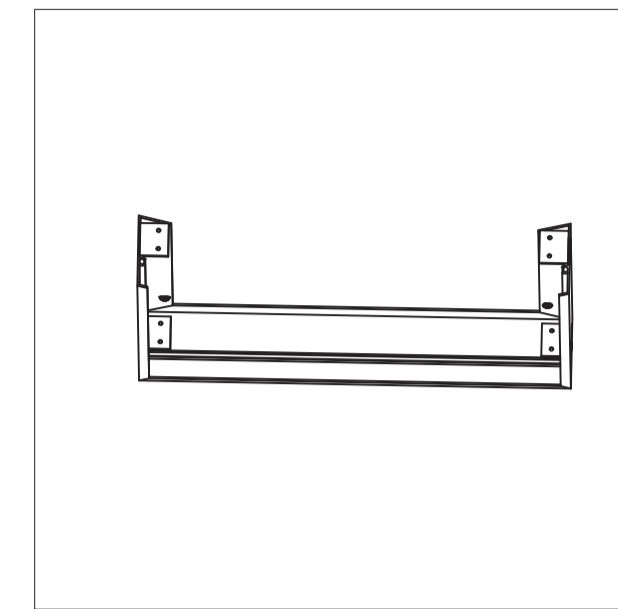


6. Fix the kit to ceiling by 4pcs ST 4*25 long screws.

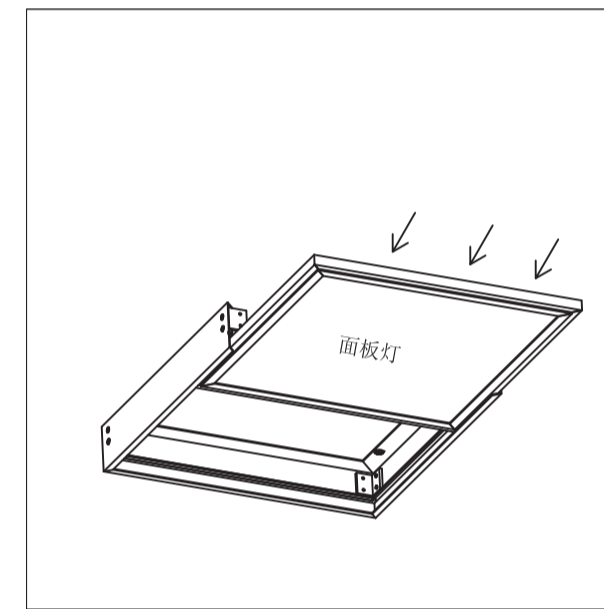


Note: the end cap must be well fixed by spanner, or, they may fall out with time going on.

7. Remove the non-fixed frame by unscrewing frames and connectors



8. Slide the LED panel partly into the kit. Connect the driver to the power supply. Refer to the instructions and safety information attached to the LED panel.



Please ensure the Length of driver connect line is long enough to avoid the unnecessary pressure when slide the Panel light into frame.

9. Insert the LED panel to the end. Fix the last frame and close the kit.

