



LED LUMINAIRES

ProLED Edge Lit Panel Series



Dimmable



50,000 Hour Life



Low Maintenance

5 YR

WARRANTY

Five Year Warranty



DLC QPL Listed

Uniform illumination and architectural appeal in an energy efficient alternative to recessed fluorescent luminaires



Low-Profile, Lightweight Design

Edge Lit Technology

Emergency Battery Back-Up Options

Backed by a 5-Year Warranty

Applications:

Office
Lobby
Hallway
Conference Room
Classroom

Markets:

Commercial
Healthcare
Retail
Hospital

Halco
LIGHTING TECHNOLOGIES

Contact Your Customer Care Specialist
For Pricing, Orders And Technical Support.

800.677.3334 www.halcolighting.com

ProLED[®]

Edge Lit Panel Series

Product #: _____ Type: _____

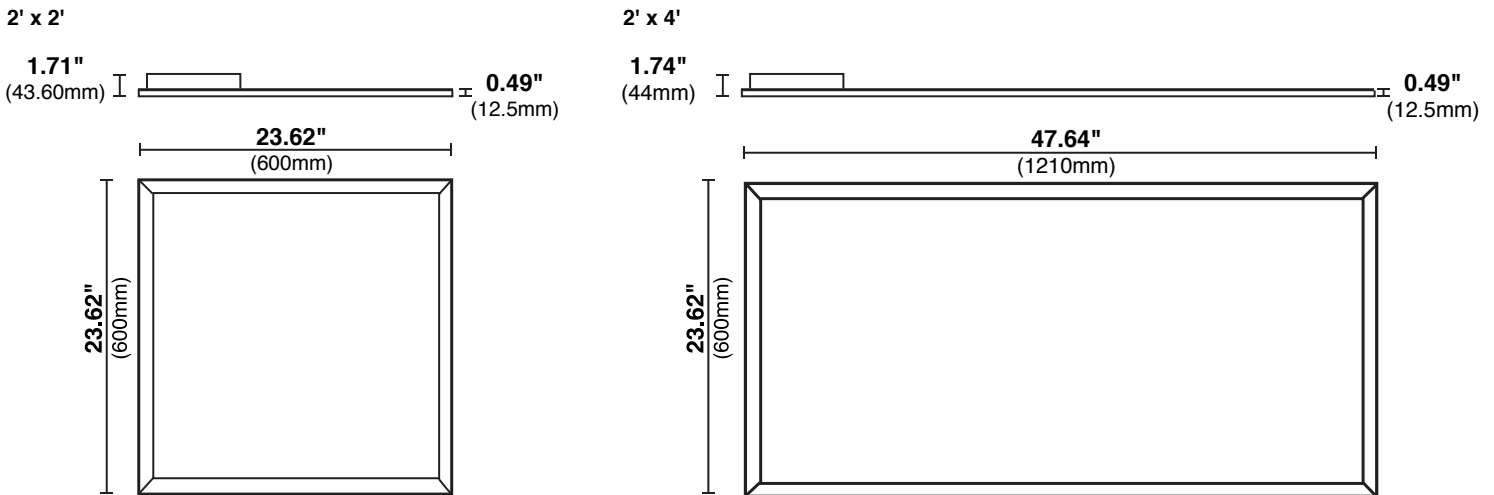
Project: _____ Date: _____

Comments: _____ Initials: _____

Specifications

- Edge lit technology delivers uniform illumination
- Remote driver enclosure with multiple knockouts for easy access
- ETL listed for damp locations
- Emergency Battery Options
- Surface mount kit available
- Drop ceiling
- Quiet & flicker-free LED technology
- Fast access terminal block for easy thru-wire (up to 12 gauge wire size)
- 0-10V Dimmable
- Offset driver box mounting for challenging plennem mounting
- IC rated

Dimensions



Ordering Information



Watt	Product #	Product Code	Volts	Color Temp.	CRI	Lumen Output	Useful Life*	Dimmable	DLC [®] Qualified	Equivalent Wattage
2' x 2'										
30	81963	22EPL30/835/LED	120-277	3500K	82	3000	50,000	0-10V	Yes	(2) 32
30	81964	22EPL30/840/LED	120-277	4000K	82	3050	50,000	0-10V	Yes	(2) 32
30	81965	22EPL30/850/LED	120-277	5000K	82	3150	50,000	0-10V	Yes	(2) 32
2' x 2' with Emergency Backup										
30	81969	22EPL30/835/EM/LED	120-277	3500K	82	3000	50,000	0-10V	Yes	(2) 32
30	81970	22EPL30/840/EM/LED	120-277	4000K	82	3050	50,000	0-10V	Yes	(2) 32
30	81971	22EPL30/850/EM/LED	120-277	5000K	82	3150	50,000	0-10V	Yes	(2) 32
2' x 4'										
50	81966	24EPL50/835/LED	120-277	3500K	82	5000	50,000	0-10V	Yes	(4) 32
50	81967	24EPL50/840/LED	120-277	4000K	82	5100	50,000	0-10V	Yes	(4) 32
50	81968	24EPL50/850/LED	120-277	5000K	82	5300	50,000	0-10V	Yes	(4) 32
2' x 4' with Emergency Backup										
50	81972	24EPL50/835/EM/LED	120-277	3500K	82	5000	50,000	0-10V	Yes	(4) 32
50	81973	24EPL50/840/EM/LED	120-277	4000K	82	5100	50,000	0-10V	Yes	(4) 32
50	81974	24EPL50/850/EM/LED	120-277	5000K	82	5300	50,000	0-10V	Yes	(4) 32

* Useful Life is defined as the point in time at which the LED will maintain at least 70% of its initial lumens. The LED will continue to operate past this point at decreased light levels.

May not be compatible with all dimming systems, dimming performance may vary by system.

Warranty – Commercial / Industrial: This product is warranted for 5 years from the date of purchase.

** Check the latest update at www.DesignLights.org for listed product catalog numbers. Not all versions are listed.

¹ Visit halcolighting.com for luminaire photometry.

ProLED[®]

Edge Lit Panel Series

Product #: _____ Type: _____

Project: _____ Date: _____

Comments: _____ Initials: _____

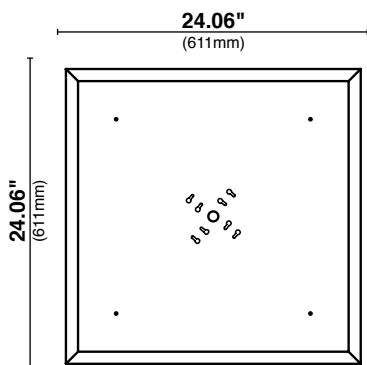
Surface Mount Kit

- Fully powdercoated white surface mount kit allows ProLED Flat Panel and Volumetric Panels to be installed on the surface of drywall or concrete ceilings
- High quality 22 gauge steel
- 3/4" knockout
- Fits multiple standard ceiling box screw patterns
- Easy to install - simply remove access door and slide luminaire onto support rails inside surface mount kit
- Mounting hardware included

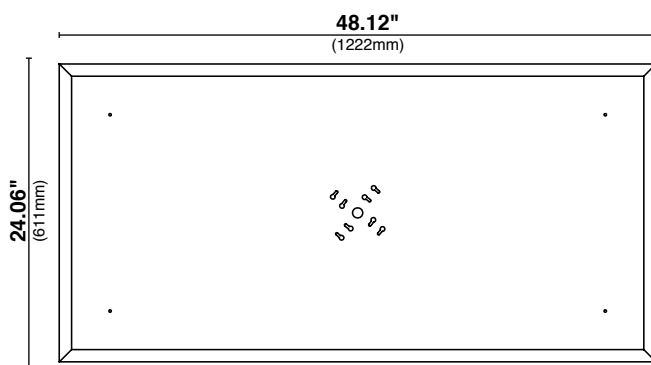


Dimensions

SMK22



SMK24



Ordering Information

Product #	Product Code	Description	Color	Dimensions (L" x W" x H")
81105	SMK22	2' x 2' Surface Mount Kit for Flat and Volumetric LED panels	White	24.06" x 24.06" x 4.5"
81106	SMK24	2' x 4' Surface Mount Kit for Flat and Volumetric LED panels	White	48.12" x 24.06" x 4.5"